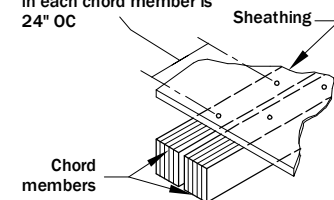


8 NAILING OF SHEATHING TO TOP CHORD MEMBERS

Maximum Nail Spacing

Widest spacing for nails in each chord member is 24" OC



WARNING
Nailing closer than specified may cause the chord to split

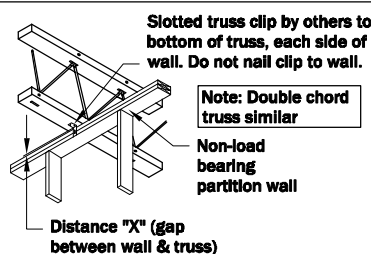
Nailing pattern per plans and specifications. Nail spacing should never exceed 24" on-center in either chord member. Do not use nails smaller than 8d or larger than 16d.

Minimum Nail Spacing

Nail Type	Nail Size	Red-L™ Red-W™	Red-LT™	Red-S™	Red-M™ Red-H™	RedLam™ LVL Narrow Face
8d ⁽¹⁾	.113" x 2 1/2"	4"	1 1/2"	4"	2"	3"
	.131" x 2 1/2"	6"	1 1/2"	6"	2"	3"
10d	.128" x 3"	6"	1 1/2"	6"	2 1/2"	4 ⁽²⁾
	.148" x 3"	6"	1 1/2"	6"	2 1/2"	4 ⁽²⁾
12d	.128" x 3 1/4"	6"	1 1/2"	6"	2"	3"
	.148" x 3 1/4"	6"	1 1/2"	6"	2 1/2"	4 ⁽²⁾
16d	.135" x 3 1/2"	6"	1 1/2"	6"	2 1/2"	4"
	.148" x 3 1/4"	6"	1 1/2"	6"	2 1/2"	4 ⁽²⁾
	.162" x 3 1/2"	8"	1 3/4"	8"	4"	8 ⁽³⁾

- (1) 14 gauge staples may be a direct substitute for 8d (2 1/2") nails if a minimum penetration of 1" into the flange is maintained.
- (2) Minimum spacing must be 5" for 4 rows of nails.
- (3) Spacing may be reduced to 5" where nail penetration does not exceed 1 3/8".
 - If more than one row of nails is used, offset rows at least 1/2" and stagger. Maintain 3/8" minimum edge distance.

9 STANDARD INSTALLATION DETAILS



Slotted truss clip by others to bottom of truss, each side of wall. Do not nail clip to wall.

Note: Double chord truss similar

Non-load bearing partition wall

Distance "X" (gap between wall & truss)

Spacing of clips and blocks per EOR

Distance "X"			
Under Roof		Under Floor	
Span	"X"	Span	"X"
0'-20'	1 1/4"	0'-20'	3/4"
20'-40'	2 1/2"	20'-40'	1 1/4"
40'-60'	4"	40'-60'	2"

Recommended Attachment for Non-load Bearing Partition

Note: Double chord truss similar

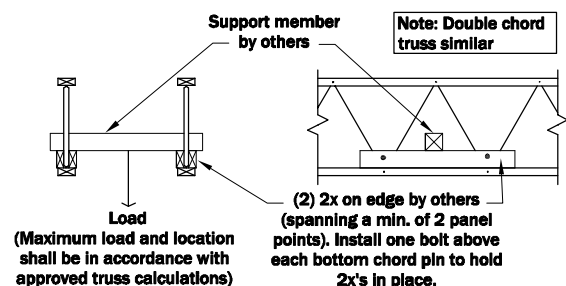
2-10dx3" nails each end

Fit blocks to allow for movement

2x4 blocks (or multiple blocks) nailed to brace

Non-load bearing partition wall

Distance "X" (gap between wall & brace)



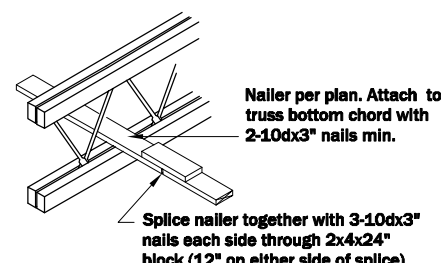
Support member by others

Note: Double chord truss similar

Load (Maximum load and location shall be in accordance with approved truss calculations)

(2) 2x on edge by others (spanning a min. of 2 panel points). Install one bolt above each bottom chord pin to hold 2x's in place.

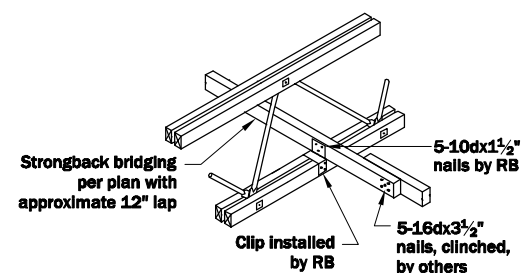
Support Detail for Loads Supported from Bottom Chord



Nailer per plan. Attach to truss bottom chord with 2-10dx3" nails min.

Splice nailer together with 3-10dx3" nails each side through 2x4x24" block (12" on either side of splice)

Bottom Chord Nailer



Strongback bridging per plan with approximate 12" lap

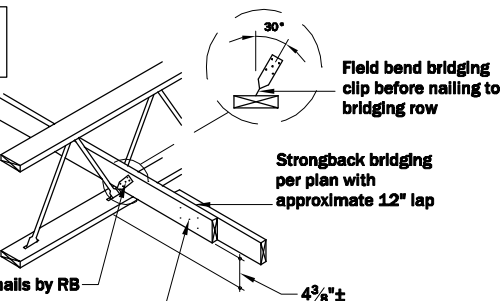
5-10dx1 1/2" nails by RB

Clip installed by RB

5-16dx3 1/2" nails, clinched, by others

Red-M™ & Red-H™ Strongback Bridging

Note: Double chord truss (Red-S™) similar



5-10dx1 1/2" nails by RB

5-16dx3 1/2" nails, clinched, by others

Red-L™, Red-W™ and Red-S™ Strongback Bridging

Field bend bridging clip before nailing to bridging row

Strongback bridging per plan with approximate 12" lap

4 3/8" ±

FIELD MODIFICATION OF TRUSSES NOT PERMITTED

- DO NOT cut, drill or damage the chords or webs.
- DO NOT remove steel pins or webs (even temporarily).
- DO NOT make field modifications to trusses without written approval of RedBuilt™.



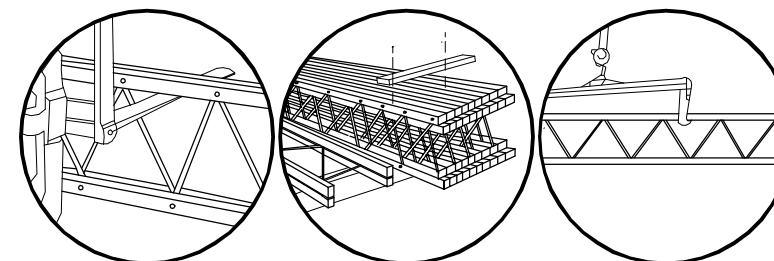
OPEN-WEB TRUSS INSTALLATION INFORMATION

ATTENTION BUILDER

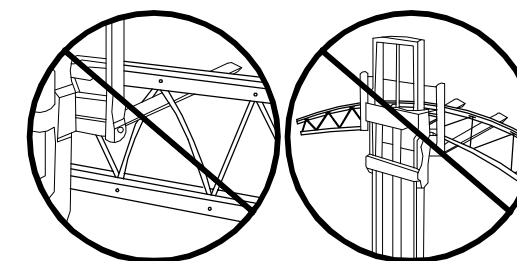
Enclosed is **IMPORTANT** information on how to safely and properly install open-web trusses. Personal injury or death may result from failure to read and follow this information.

1 PRODUCT HANDLING

THIS



NOT THIS



WARNING

Workers should stay clear when cutting the banding to avoid possible injury from flying banding or toppling trusses.

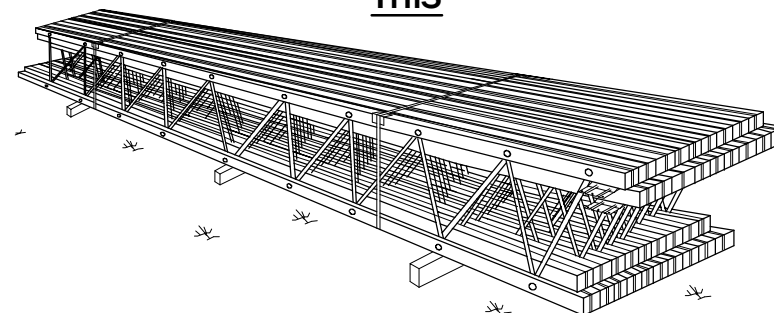
CAUTION

DO NOT hit webs with forklift forks. Bent or dented webs must be replaced.

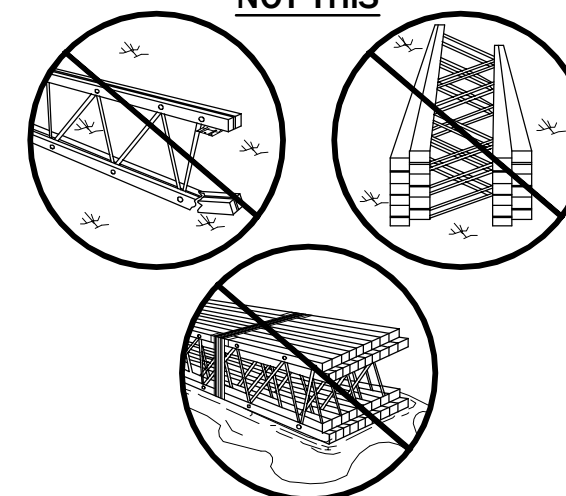
- Trusses will be delivered to the jobsite in bundles of twenty or fewer, banded together for handling and shipment. To avoid damage they should be left in these bundles until they are ready to be installed in the structure.
- Miscellaneous hardware such as bearing angles, lag screws, bolts and nails as required for each specific job will be shipped in bags or boxes with the trusses.
- Bridging material and pre-cut blocking items, if supplied by RedBuilt™, will be bundled and banded.

2 PRODUCT STORAGE

THIS



NOT THIS



- Always set truss bundles on stickers placed at the truss pin locations. Never store trusses flat or set trusses directly on the ground or in contact with standing water.
- Cover truss bundles with paper wrap or canvas tarps to protect them from the weather. Do not use plastic covers as they will cause moisture to accumulate on the trusses. Prolonged exposure to the elements harms the appearance and strength of the trusses.

Damaged trusses must be repaired or replaced



For allowable holes and fasteners information please scan the QR code or use the link below to access page number 3 of sprinkler system installation guide

<http://www.redbuilt.com/images/docs/RedBuilt%20Sprinkler%20Guide.pdf>

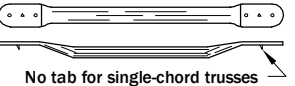
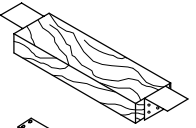
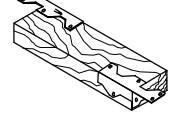

If you have questions or concerns:
Call your RedBuilt™ Representative directly,
or for general customer service call
(866) 859-6757 Sheet ___ of ___

3 GENERAL INFORMATION

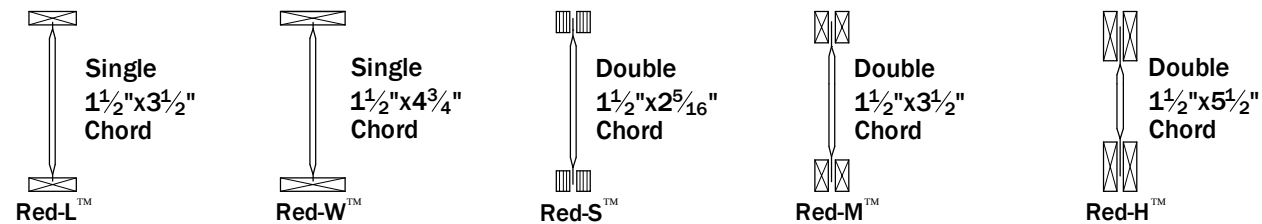
- All nails specified in framing package to be "common" nails unless noted otherwise. Use proper size nails to fill all nail holes in bearing clips, bridging clips, bracing, etc.
- Do not scale drawings: written dimensions take precedence.
- Manufacturer's responsibility is only for the design of the RedBuilt™ products and not for any supporting structure or loads other than indicated herein. All materials shall be supplied by others, unless specifically noted as "by RB" or "by RedBuilt™" herein.

Abbreviation	Term
AFP	Approved for Production
AOR	Architect of Record
CL	Centerline
DBL	Double
DL	Dead Load
EOR	Engineer of Record
FBO	Framing by Others
FOC	Face of Concrete
FOS	Face of Stud
GC	General Contractor
LL	Live Load
LSL	Laminated Strand Lumber
LVL	Laminated Veneer Lumber
OFA	Out for Approval
OW	Open-Web Trusses by RedBuilt™
PLT	Plate
PSL	Parallel Stranded Lumber
RB	RedBuilt™

4 MATERIAL IDENTIFICATION

- A.  No tab for single-chord trusses
- B. 
- C. 
- D. 
- A. **Strut Bracing** is tubular steel with flattened ends supplied with all open-web trusses (Simpson HRS12 supplied for 12" OC systems). Strut bracing to be installed as each truss is set. See sections 5A - 5D.
- B. **Plywood Edge Blocking** is provided by RedBuilt™ on some projects and used for nailing sheathing edges. Edge blocking does not take the place of strut bracing and will not prevent trusses from bowing. Install edge blocking after strut bracing (installation bracing) is in place and immediately prior to laying sheathing.
- C. **2x4 Starter Struts** supplied by contractor with framing anchors each end (shipped loose) supplied by RedBuilt™. Flatten speed prong and fold portion of vertical tab around end of 2x4. Attach with 6-8dx1½" nails each end. See sections 5A and 5D.
- D. **Cross Bracing** is provided for most bottom-bearing locations. Cross bracing to be installed as each truss is set. Contractor to bend ends prior to installation.

RedBuilt™ Open-Web Truss Product Sections - Refer to plan for series and depth



5 INSTALLATION BRACING



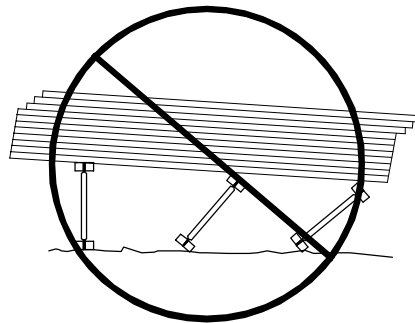
DO NOT walk on the trusses until all truss bearings and bracing have been permanently attached. Injury may result.

WARNING

Without correctly installed bracing, trusses can bow and roll over, causing death, serious personal injury, or property damage.

NOTICE

Installation bracing and procedures, as well as the safety of workers, are the responsibility of the installer. The installer should make sure that this installation information is understood by all persons involved in the truss installation.

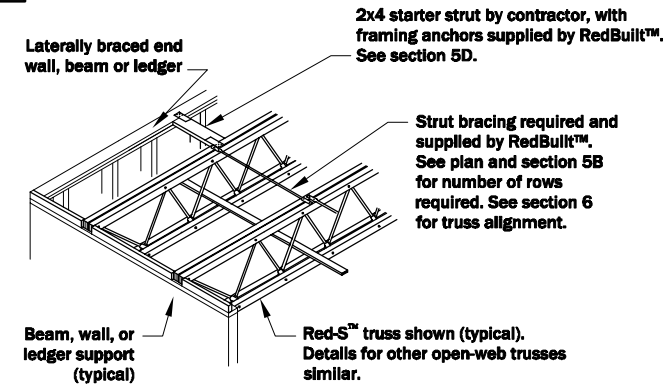


DO NOT stack building materials on trusses before all truss bearings and bracing have been permanently attached. See section 7

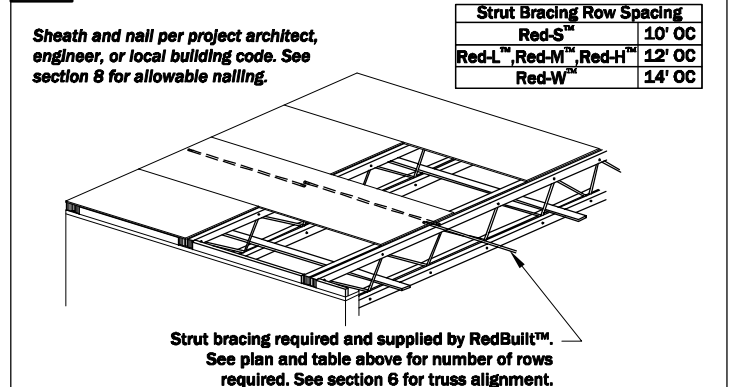
5 INSTALLATION BRACING - CONTINUED

Brace EACH truss as it is placed

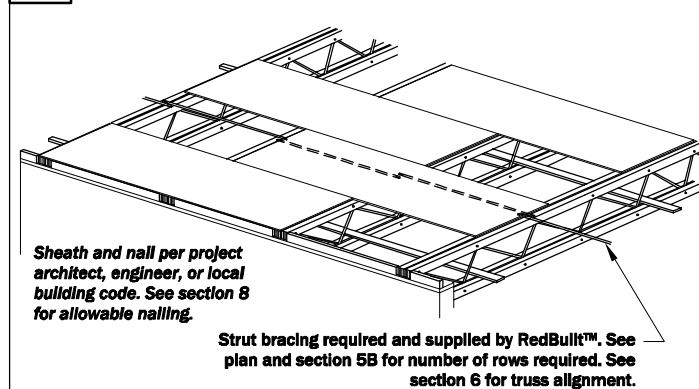
5A Starting Bracing: Laterally braced end wall or beam



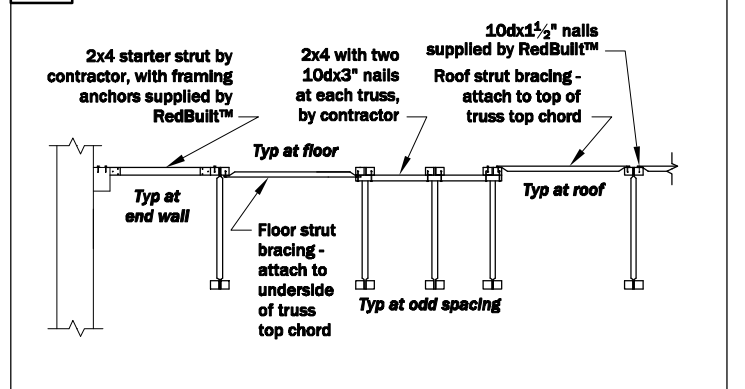
5B Starting Bracing - No laterally braced end wall or beam



5C Intermediate Bracing - Middle of bay

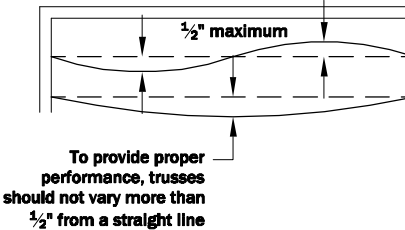


5D Typical strut brace conditions

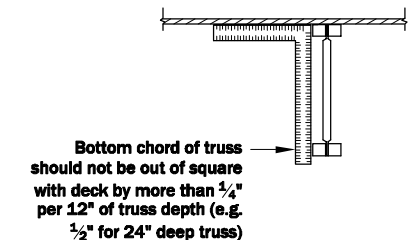


6 INSTALLATION TOLERANCES PERMITTED

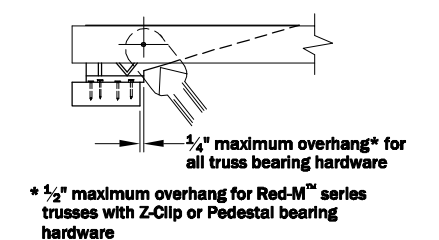
Truss Chord Alignment Tolerance



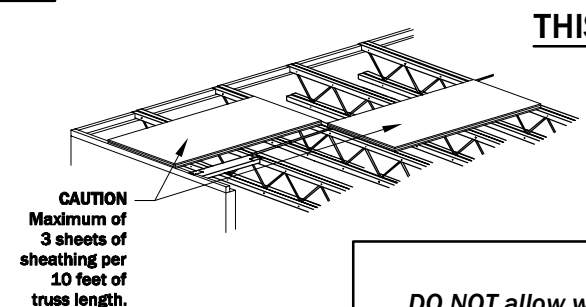
Vertical Alignment Tolerance



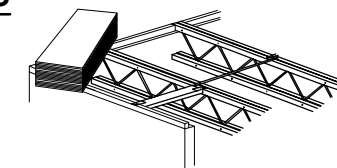
Overhang Tolerance at Bearing (Red-S™ bearing shown)



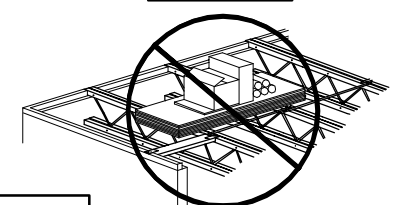
7 STACKING MATERIAL



THIS



NOT THIS



WARNING
DO NOT allow workers or materials on the trusses until all truss bearings and bracing have been permanently attached. See section 5.