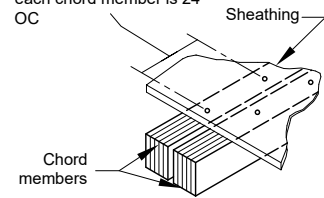


# 8 NAILING OF SHEATHING TO TOP CHORD MEMBERS

## Maximum Nail Spacing

Widest spacing for nails in each chord member is 24" OC



**WARNING**  
Nailing closer than specified may cause the chord to split

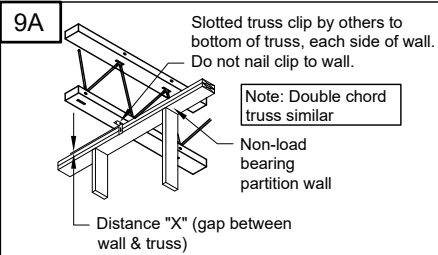
Nailing pattern per plans and specifications. Nail spacing should never exceed 24" on-center in either chord member. Do not use nails smaller than 8d $\times$ 2 $\frac{1}{2}$ " or larger than 16d $\times$ 3 $\frac{1}{2}$ ".

## Minimum Nail Spacing

Nail Type	Nail Size	Red-L™ Red-W™	Red-S™	Red-M™ Red-H™	RedLam™ LVL Narrow Face
8d <sup>(1)</sup>	.113" x 2 $\frac{1}{2}$ " .131" x 2 $\frac{1}{2}$ "	4" 6"	4" 6"	2" 2"	3" 3"
10d	.128" x 3" .148" x 3"	6" 6"	6" 6"	2" 2 $\frac{1}{2}$ "	3" 4 <sup>(2)</sup>
12d	.128" x 3 $\frac{1}{4}$ " .148" x 3 $\frac{1}{4}$ "	6" 6"	6" 6"	2" 2 $\frac{1}{2}$ "	3" 4 <sup>(2)</sup>
16d	.135" x 3 $\frac{1}{2}$ " .148" x 3 $\frac{1}{4}$ " .162" x 3 $\frac{1}{2}$ "	6" 6" 8"	6" 6" 8"	2 $\frac{1}{2}$ " 2 $\frac{1}{2}$ " 4"	4" 4 <sup>(2)</sup> 8 <sup>(3)</sup>

- (1) 14 gauge staples may be a direct substitute for 8d $\times$ 2 1/2" (2 1/2") nails if a minimum penetration of 1" into the flange is maintained.
- (2) Minimum spacing must be 5" for 4 rows of nails.
- (3) Spacing may be reduced to 5" where nail penetration does not exceed 1 3/8".
  - If more than one row of nails is used, offset rows at least 1/2" and stagger. Maintain 3/8" minimum edge distance.

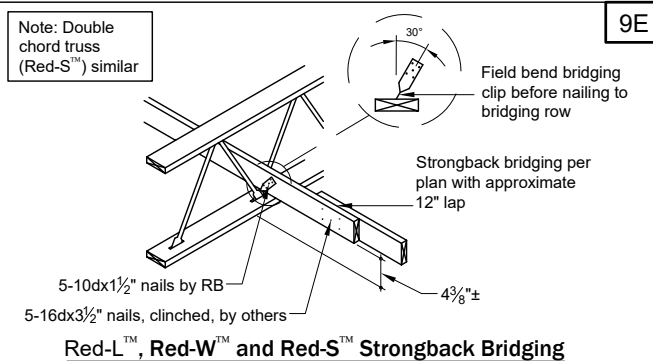
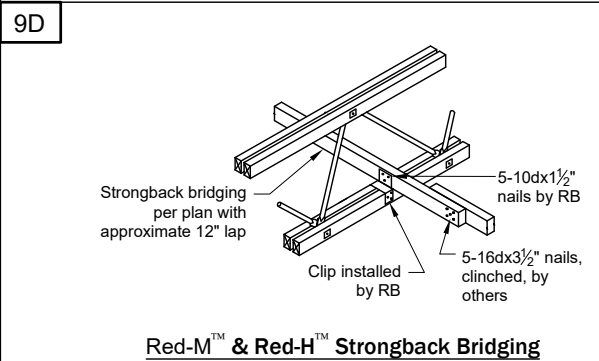
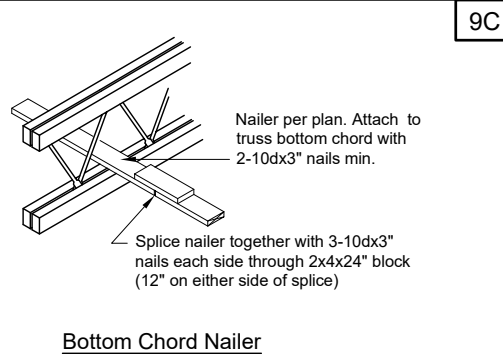
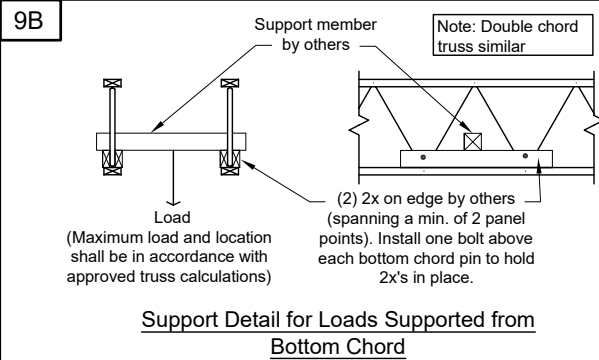
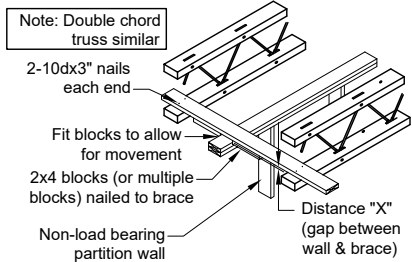
# 9 STANDARD INSTALLATION DETAILS



## Spacing of clips and blocks per EOR

Span	Distance "X"	
	Under Roof	Under Floor
0'-20'	1 $\frac{1}{4}$ "	0'-20'
20'-40'	2 $\frac{1}{2}$ "	20'-40'
40'-60'	4"	40'-60'

## Recommended Attachment for Non-load Bearing Partition



For product warranty information please scan the QR code or use the link below to access the form

**FIELD MODIFICATION OF TRUSSES NOT PERMITTED**

- DO NOT cut, drill or damage the chords or webs.
- DO NOT remove steel pins or webs (even temporarily).
- DO NOT make field modifications to trusses without written approval of RedBuilt™.

<http://www.redbuilt.com/documents/RedBuilt%20Warranty%20Certificate.pdf>

Red-I™, Red-I45™, Red-I45L™, Red-I58™, Red-I65™, Red-I90™, Red-I90HS™, Red-L™, Red-W™, Red-S™, Red-M™, Red-H™, RedLam™, RedSpec™ and RedBuilt™ are trademarks of RedBuilt LLC

Rev 02/19

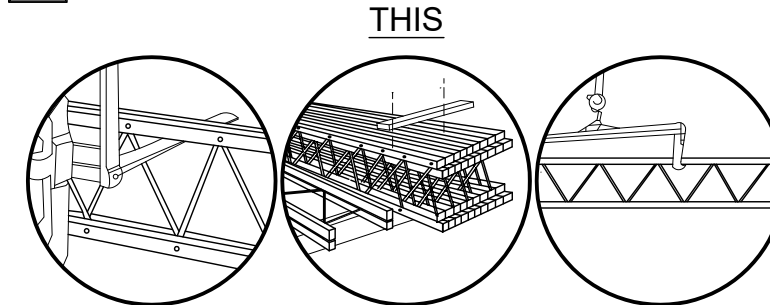


# OPEN-WEB TRUSS INSTALLATION INFORMATION

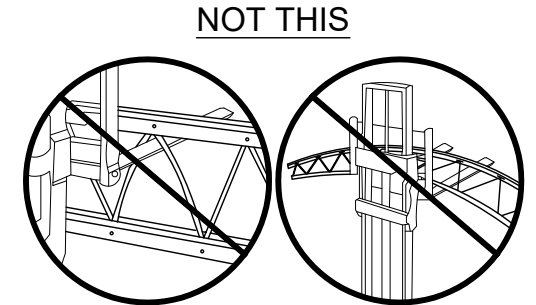
## ATTENTION BUILDER

Enclosed is **IMPORTANT** information on how to safely and properly install open-web trusses. Personal injury or death may result from failure to read and follow this information.

## 1 PRODUCT HANDLING



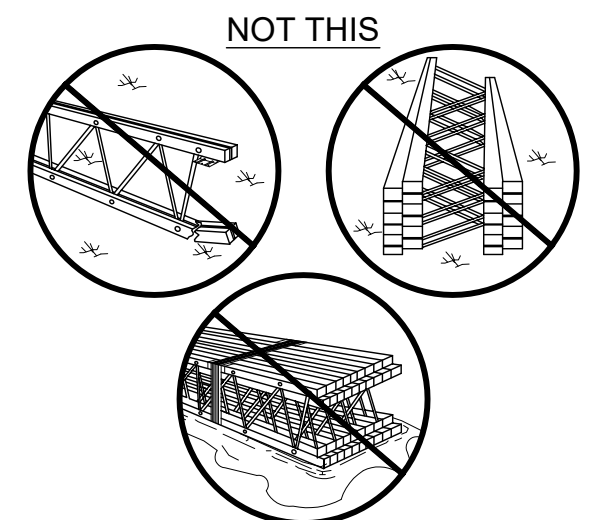
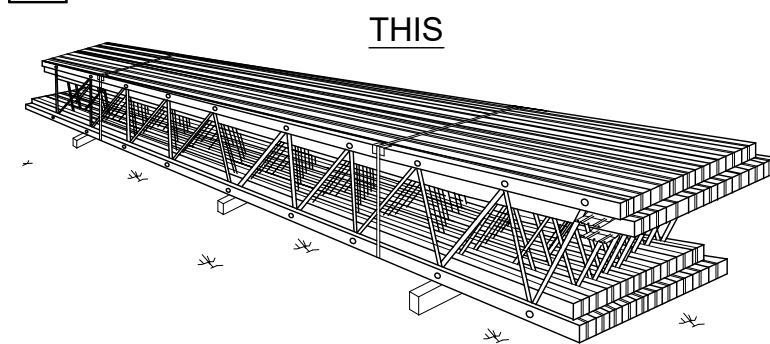
**WARNING**  
Workers should stay clear when cutting the banding to avoid possible injury from flying banding or toppling trusses.



**CAUTION**  
DO NOT hit webs with forklift forks. Bent or dented webs must be replaced.

- Trusses will be delivered to the jobsite in bundles of twenty or fewer, banded together for handling and shipment. To avoid damage they should be left in these bundles until they are ready to be installed in the structure.
- Miscellaneous hardware such as bearing angles, lag screws, bolts and nails as required for each specific job will be shipped in bags or boxes with the trusses.
- Bridging material and pre-cut blocking items, if supplied by RedBuilt™, will be bundled and banded.

## 2 PRODUCT STORAGE



- Always set truss bundles on stickers placed at the truss pin locations. Never store trusses flat or set trusses directly on the ground or in contact with standing water.
- Cover truss bundles with paper wrap or canvas tarps to protect them from the weather. Do not use plastic covers as they will cause moisture to accumulate on the trusses. Prolonged exposure to the elements harms the appearance and strength of the trusses.

Damaged trusses must be repaired or replaced



For allowable holes and fasteners information please scan the QR code or use the link below to access page number 3 of sprinkler system installation guide

[http://www.redbuilt.com/documents/RedBuilt\\_Sprinkler\\_Guide.pdf](http://www.redbuilt.com/documents/RedBuilt_Sprinkler_Guide.pdf)

**If you have questions or concerns:**  
Call your RedBuilt™ Representative directly, or for general customer service call (866) 859-6757

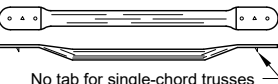
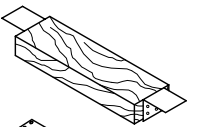
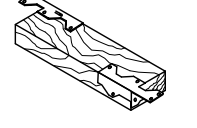

Sheet \_\_ of \_\_

### 3 GENERAL INFORMATION

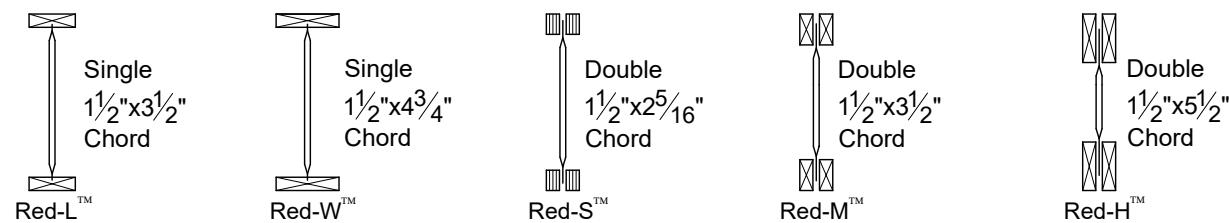
- All nails specified in framing package to be "common" nails unless noted otherwise. Use proper size nails to fill all nail holes in bearing clips, bridging clips, bracing, etc.
- Do not scale drawings: written dimensions take precedence.
- Manufacturer's responsibility is only for the design of the RedBuilt™ products and not for any supporting structure or loads other than indicated herein. All materials shall be supplied by others, unless specifically noted as "by RB" or "by RedBuilt™" herein.

Abbreviation	Term
AFP	Approved for Production
AOR	Architect of Record
CL	Centerline
DBL	Double
DL	Dead Load
EOR	Engineer of Record
FBO	Framing by Others
FOC	Face of Concrete
FOS	Face of Stud
GC	General Contractor
LL	Live Load
LSL	Laminated Strand Lumber
LVL	Laminated Veneer Lumber
OFA	Out for Approval
OW	Open-Web Trusses by RedBuilt™
PLT	Plate
PSL	Parallel Stranded Lumber
RB	RedBuilt™

### 4 MATERIAL IDENTIFICATION

- A.**  **Strut Bracing** is tubular steel with flattened ends supplied with all open-web trusses (Simpson HRS12 supplied for 12" OC systems). Strut bracing to be installed as each truss is set. See sections 5A - 5D.
- B.**  **Plywood Edge Blocking** is provided by RedBuilt™ on some projects and used for nailing sheathing edges. **Edge blocking does not take the place of strut bracing and will not prevent trusses from bowing.** Install edge blocking after strut bracing (installation bracing) is in place and immediately prior to laying sheathing.
- C.**  **2x4 Starter Struts** supplied by contractor with framing anchors each end (shipped loose) supplied by RedBuilt™. Flatten speed prong and fold portion of vertical tab around end of 2x4. Attach with 6-8dx2 1/2"x1 1/2" nails each end. See sections 5A and 5D.
- D.**  **Cross Bracing** is provided for most bottom-bearing locations. Cross bracing to be installed as each truss is set. Contractor to bend ends prior to installation.

RedBuilt™ Open-Web Truss Product Sections - Refer to plan for series and depth



### 5 INSTALLATION BRACING



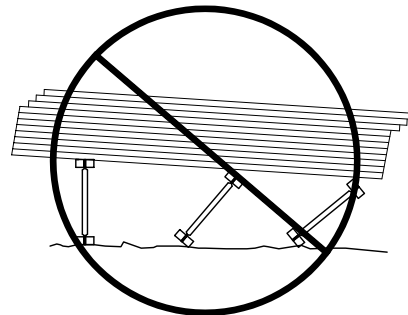
**DO NOT** walk on the trusses until all truss bearings and bracing have been permanently attached. Injury may result.

#### WARNING

Without correctly installed bracing, trusses can bow and roll over, causing death, serious personal injury, or property damage.

#### NOTICE

Installation bracing and procedures, as well as the safety of workers, are the responsibility of the installer. The installer should make sure that this installation information is understood by all persons involved in the truss installation.

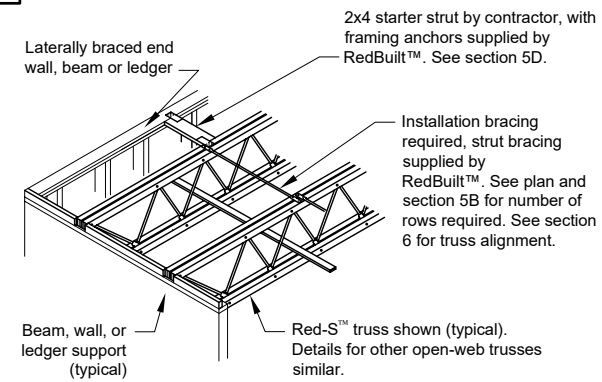


**DO NOT** stack building materials on trusses before all truss bearings and bracing have been permanently attached. See section 7

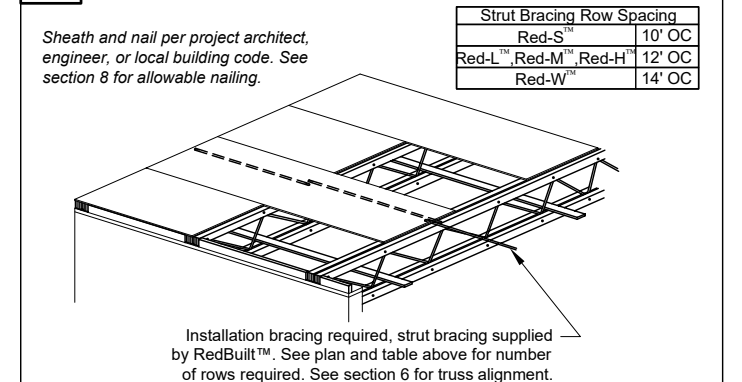
### 5 INSTALLATION BRACING - CONTINUED

*Brace EACH truss as it is placed*

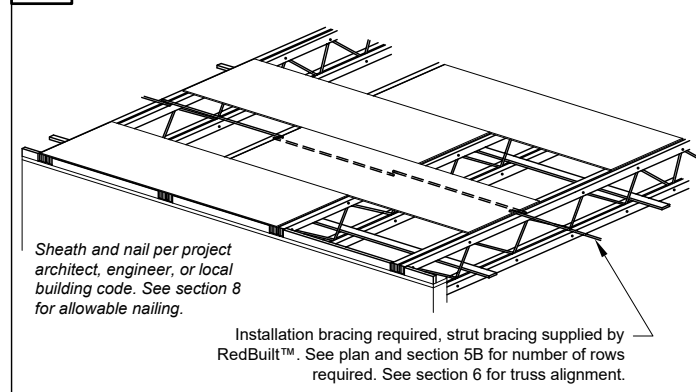
#### 5A Starting Bracing: Laterally braced end wall or beam



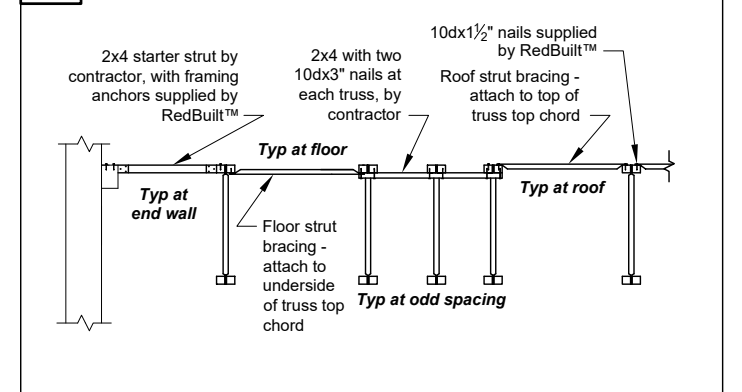
#### 5B Starting Bracing - No laterally braced end wall or beam



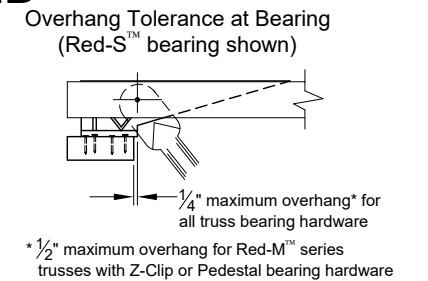
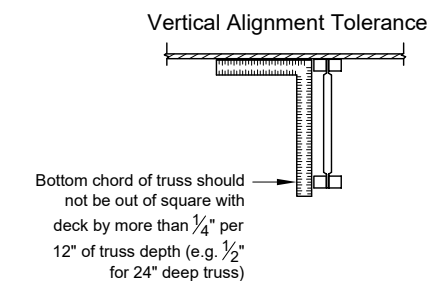
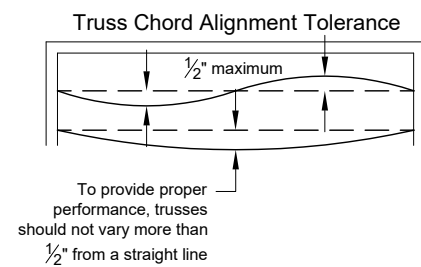
#### 5C Intermediate Bracing - Middle of bay



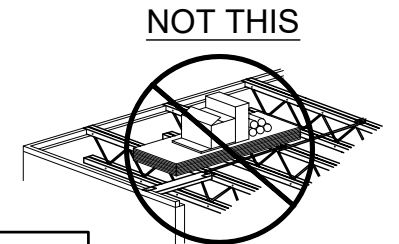
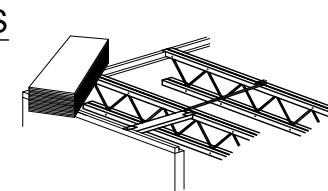
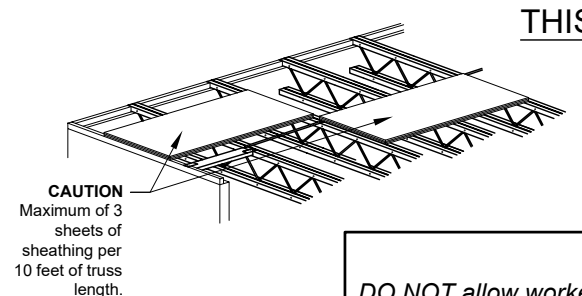
#### 5D Typical strut brace conditions



### 6 INSTALLATION TOLERANCES PERMITTED



### 7 STACKING MATERIAL



**WARNING**  
**DO NOT** allow workers or materials on the trusses until all truss bearings and bracing have been permanently attached. See section 5.