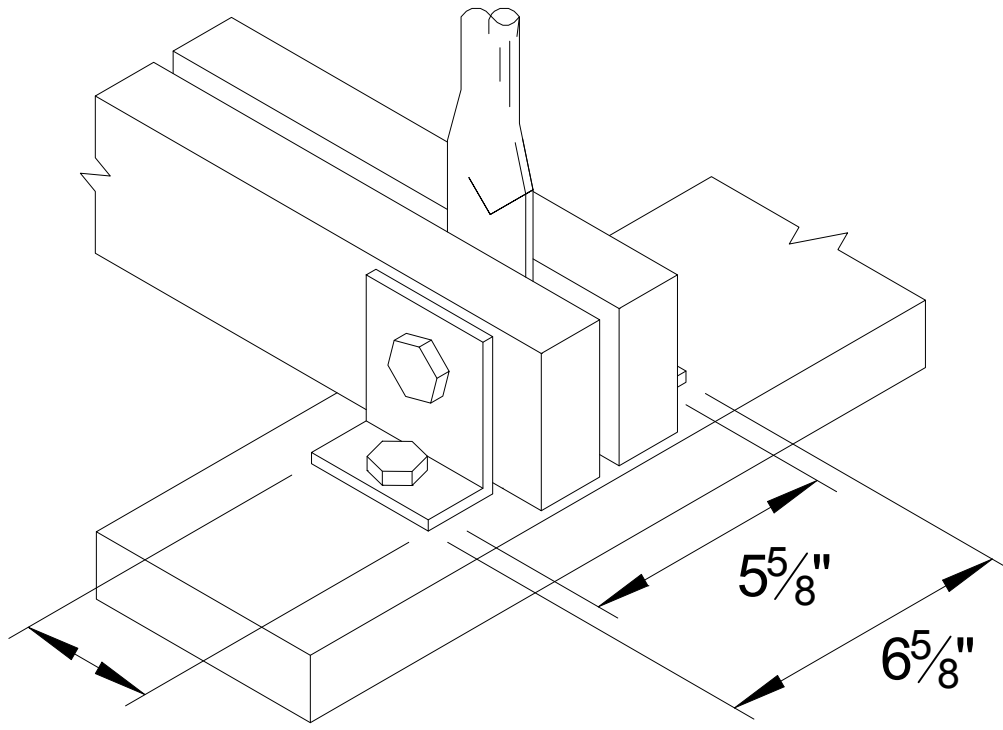


Bottom Chord Bearing T-Clip



3" with RED-M™ truss
3 1/2" with RED-H™ truss