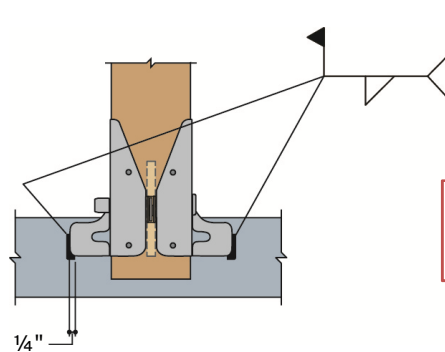


## Lateral Capacity of Open-Web Truss Bearing Clips

If you are looking for a way to resist wall anchorage forces without the use of additional hardware, RedBuilt has the answer. RedBuilt's truss bearing clips have been fully tested and are available for use in lateral load applications. This technical bulletin provides clip capacities and information on available lateral applications of RedBuilt's Open-Web truss bearing clips.

### RedBuilt™ Open-Web Truss with Welded Top-Chord Clip

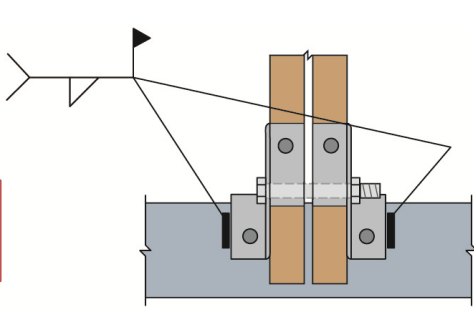
#### Single-Chord Truss



Weld per RedBuilt specifications as shown in RedBuilt shop drawings provided for each project

**CAUTION:**  
Shield chord while welding

#### Double-Chord Truss



### Allowable Lateral and Uplift Load

Truss Series	Clip Type	Minimum Bearing Length <sup>(1)</sup>	Lateral Capacity (lb)	Uplift Capacity (lb)
<b>Red-L™</b>	No-Notch	1¾"	1,940	760
<b>Red-W™</b>	No-Notch	1¾"	2,260	920
<b>Red-S™</b>	S-Clip	2¾"	1,730 <sup>(2)</sup>	1,170 <sup>(2)</sup>
<b>Red-M™</b>	S-Clip	2½"	1,300	220
	Z-Clip <sup>(3)</sup>	2¾"	1,680	1,480
<b>Red-H™</b>	Z-Clip <sup>(3)</sup>	3½"	1,800	1,250

(1) Sloped applications require a sloped bearing seat to match.

(2) Requires clip modification. Please contact your RedBuilt representative.

(3) Z-Clip without base plates.

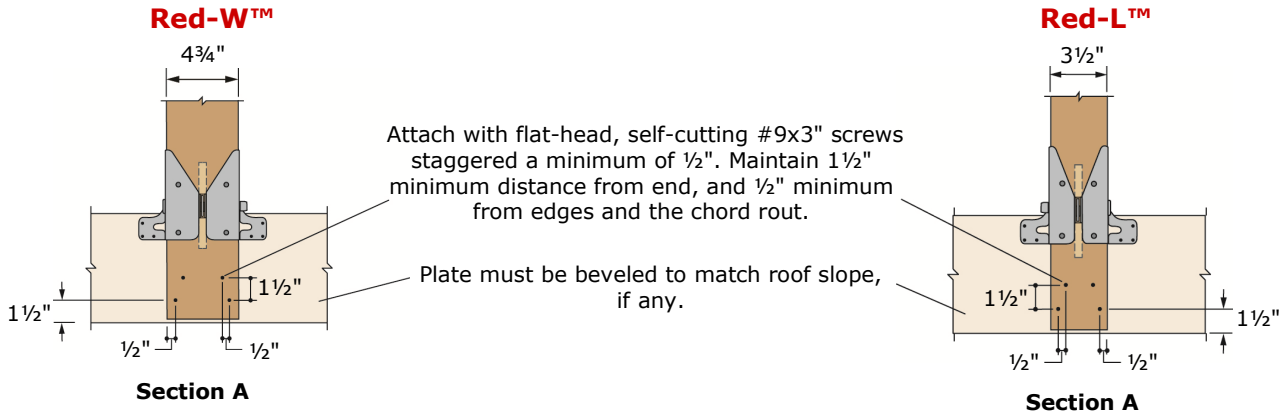
- Values cannot be increased by load duration factor.
- Combined lateral and uplift interaction may be calculated with the following equation:

$$\frac{\text{Design lateral}}{\text{Allowable lateral}} + \frac{\text{Design uplift}}{\text{Allowable uplift}} \leq 1.0$$

#### General Notes

- Capacity is based on welded clips installed per RedBuilt recommendations.
- Design of steel bearing and wall connection are the responsibility of the Design Professional of Record.

## Red-L™ and Red-W™ Trusses with No-Notch Clip and Extended Chord



### Allowable Lateral Load

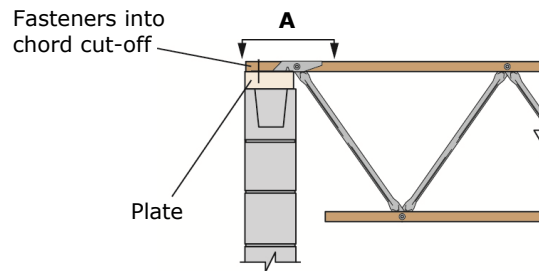
Plate Size (min.)	Quantity of Screws in Chord	Lateral Capacity (lb)
2x6	(2) #9x3" <sup>(1)</sup>	1,050
2x8	(4) #9x3"	1,330

(1) Screws must be located 1 1/2" from end of truss chord.

- Values are based on bearing plate with SG = 0.50. For SG = 0.42, multiply table values by 0.86.
- Capacity is based on a load duration factor of 160%.
- Combined lateral and uplift interaction may be calculated with the following equation:

$$\frac{\text{Design lateral}}{\text{Allowable lateral}} + \frac{\text{Design uplift}}{\text{Allowable uplift}} \leq 1.0$$

See RedBuilt™ Open-Web Trusses Specifier's Guide for uplift capacity of Red-L™ and Red-W™ No-Notch bearing clip.



### General Notes

- Design of plate and wall connection are the responsibility of the Design Professional of Record.

## Red-W™ Truss with Lateral No-Notch Clip

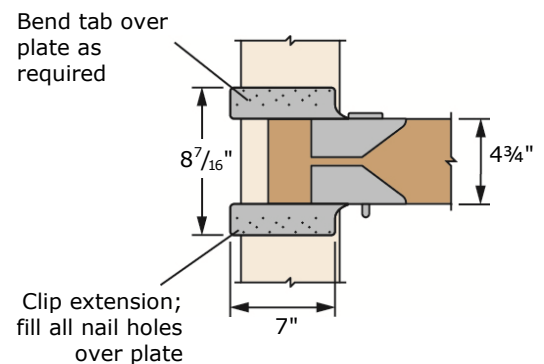
### Allowable Lateral Load

Plate Size (min.)	Nail Size (min.)	Lateral Capacity (lb)
2x4	0.148" x 1 1/2"	1,970
3x4	0.162" x 2 1/2"	2,320
2x6	0.148" x 1 1/2"	2,905
3x6	0.162" x 2 1/2"	2,905
2x8	0.148" x 1 1/2"	2,905
3x8	0.162" x 2 1/2"	2,905

- Values are based on bearing plate with SG = 0.50. For SG = 0.42, multiply table values by 0.86.
- Capacity is based on a load duration factor of 160%.
- Combined lateral and uplift interaction may be calculated with the following equation:

$$\frac{\text{Design lateral}}{\text{Allowable lateral}} + \frac{\text{Design uplift}}{\text{Allowable uplift}} \leq 1.0$$

See RedBuilt™ Open-Web Trusses Specifier's Guide for uplift capacity of Red-W™ No-Notch clip.



### General Notes

- Design of plate and wall connection are the responsibility of the Design Professional of Record.

**Note:** See **Wind or Seismic Connections** in the RedBuilt™ Open-Web Trusses Specifier's Guide for more connection details and capacities