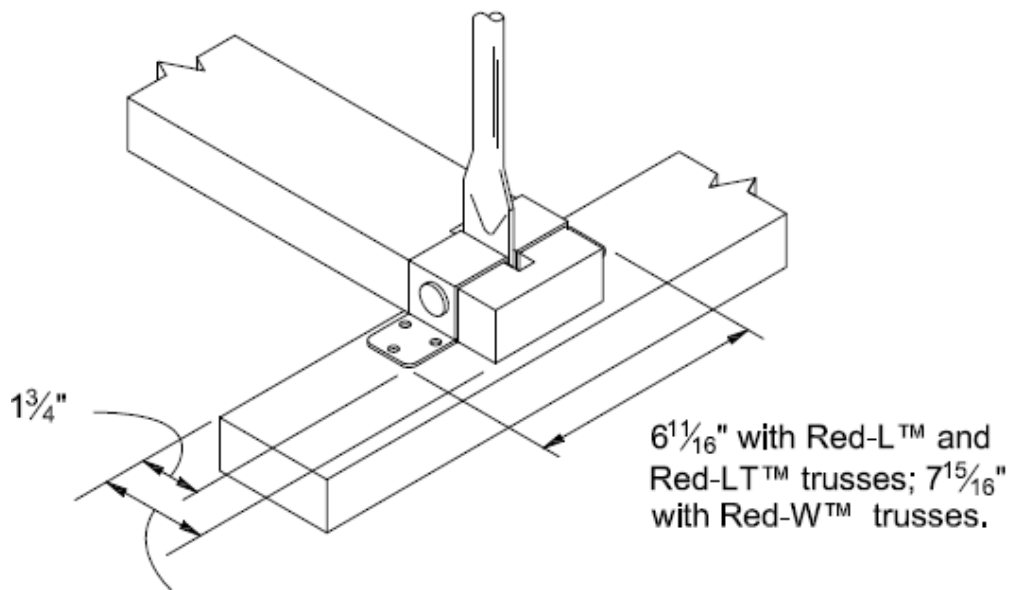


### 3 Bottom Bearing

#### U-Clip



$6\frac{11}{16}$ " with Red-L™ and Red-LT™ trusses;  $7\frac{15}{16}$ " with Red-W™ trusses.

Bearing capacity varies with chord bearing length