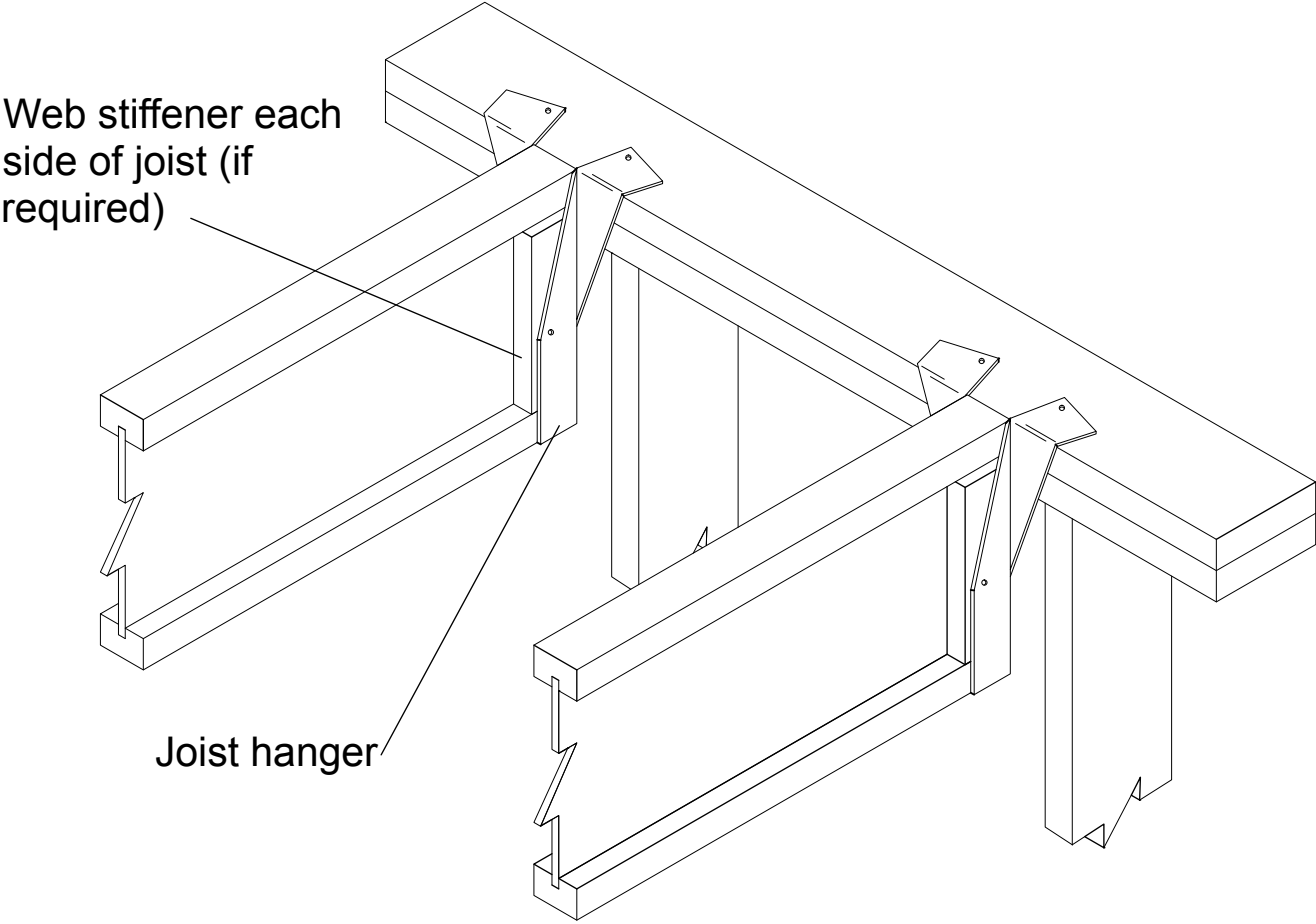


# Hanger on Stud Wall



The potential for top plate rotation may reduce hanger capacities.  
Contact RedBuilt for assistance.