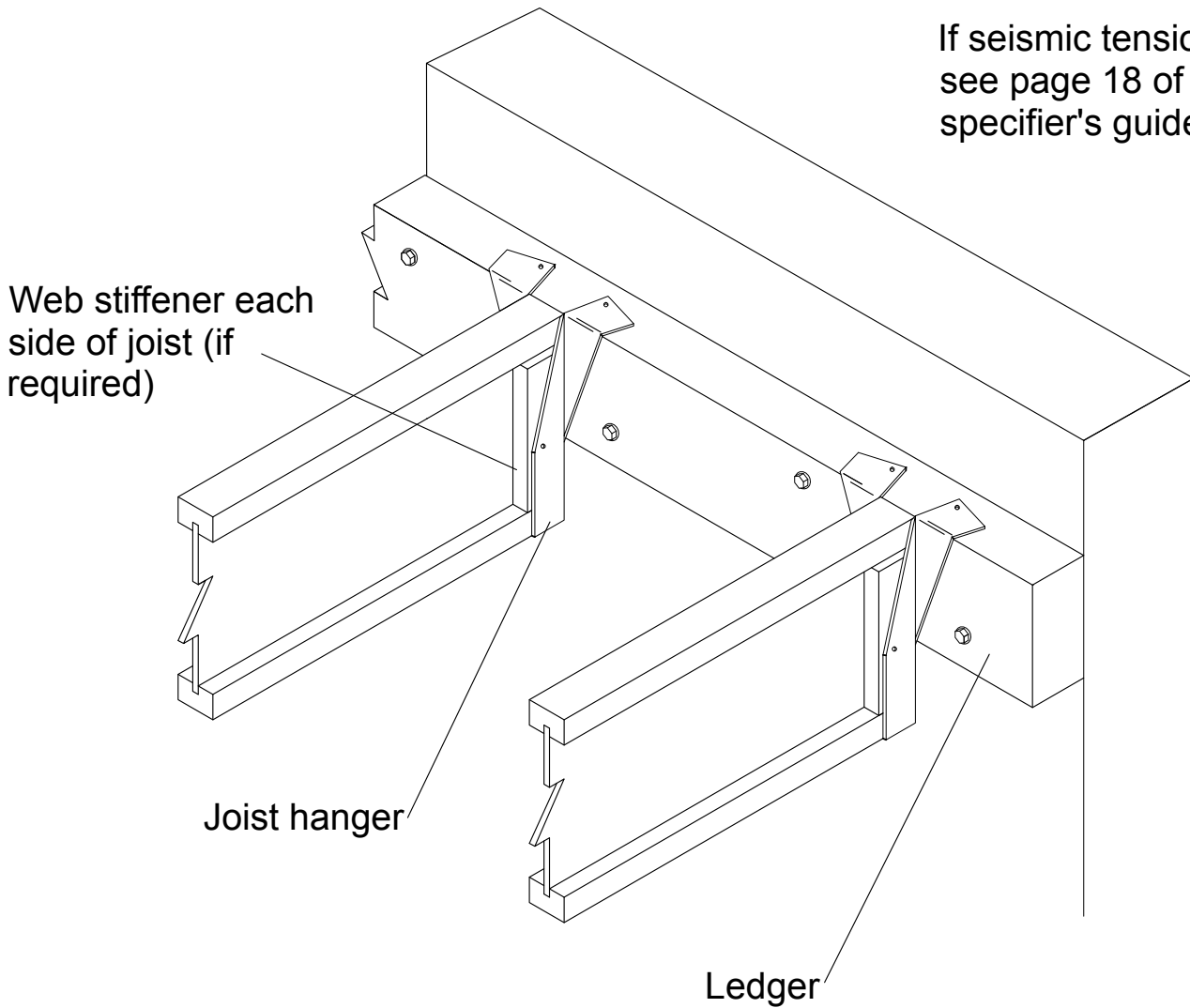


Hanger on Ledger



If seismic tension ties are required
see page 18 of the comm 2000
specifier's guide