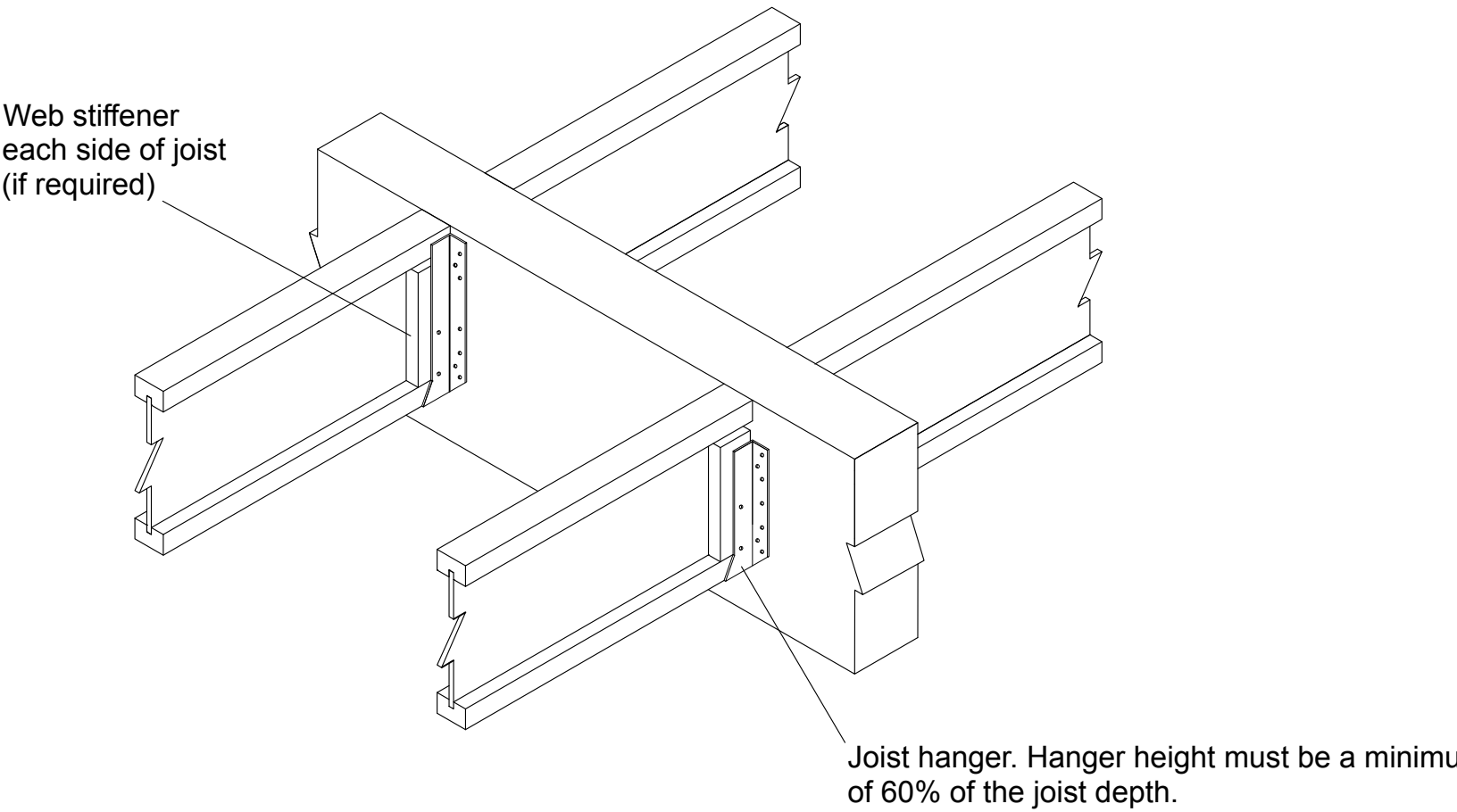


Hanger on Beam



Web stiffeners are required if the sides of the hanger do not laterally support at least $\frac{3}{8}$ of the I-Joist top flange.