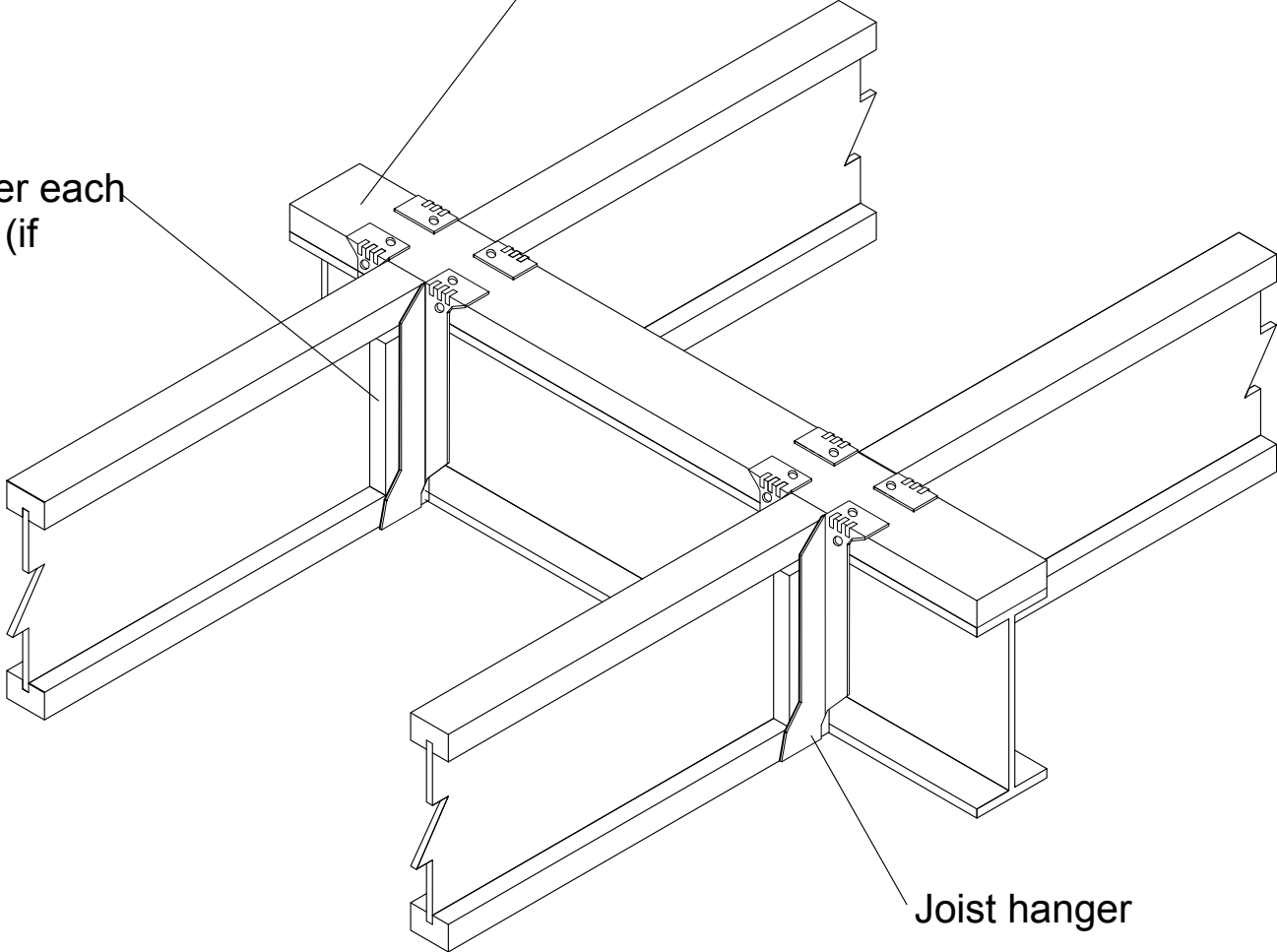


Hanger on Steel Beam

Nailer thickness must accommodate hanger nail length and may affect capacity. Refer to hanger manufacturer's literature for details.

Web stiffener each side of joist (if required)



Joist hanger