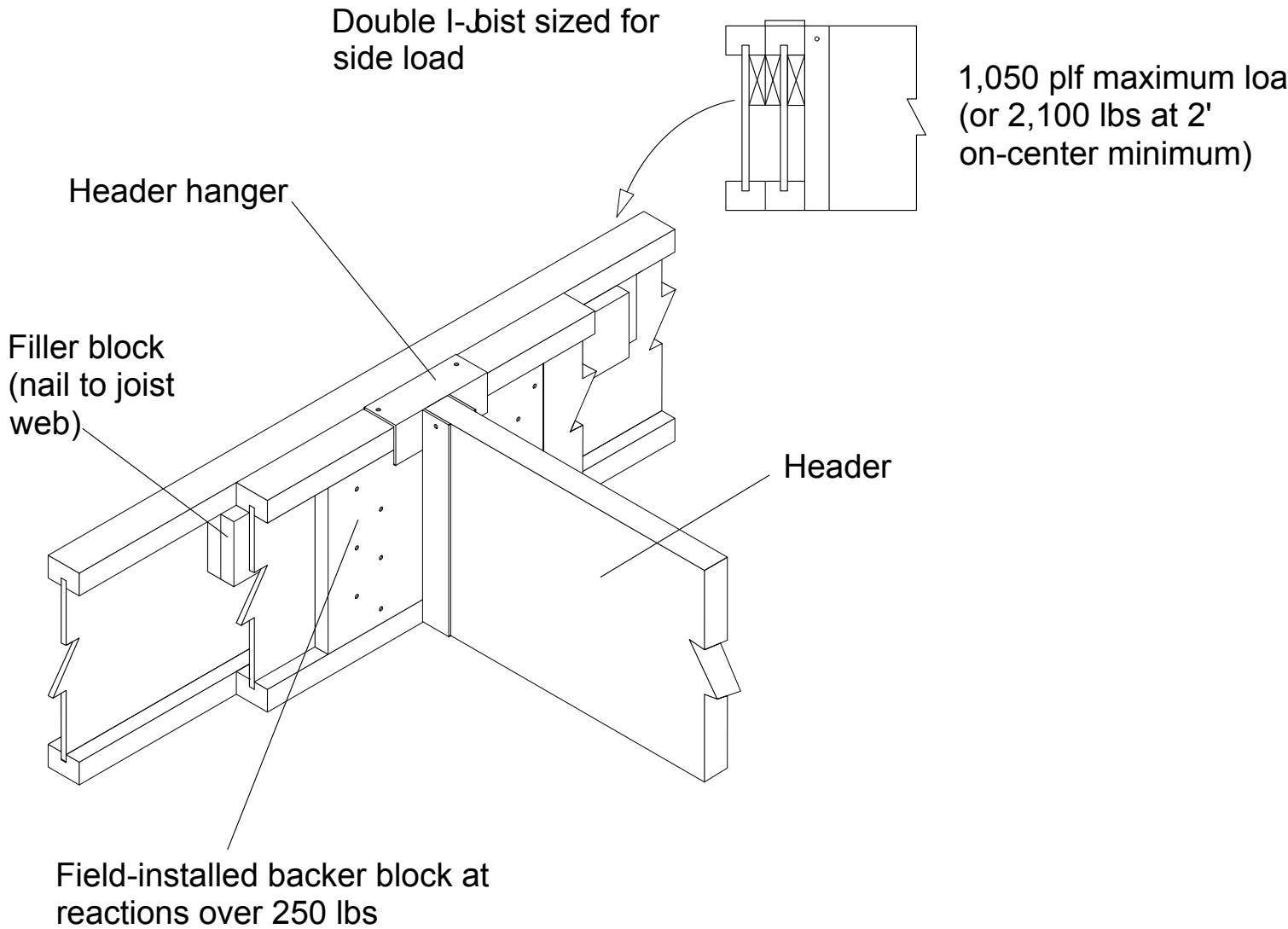


# Side-Loaded Double Joist



When supported by a I-Joist, maximum hanger capacity is approximately 2,000 lbs. Refer to hanger manufacturer's literature for details.