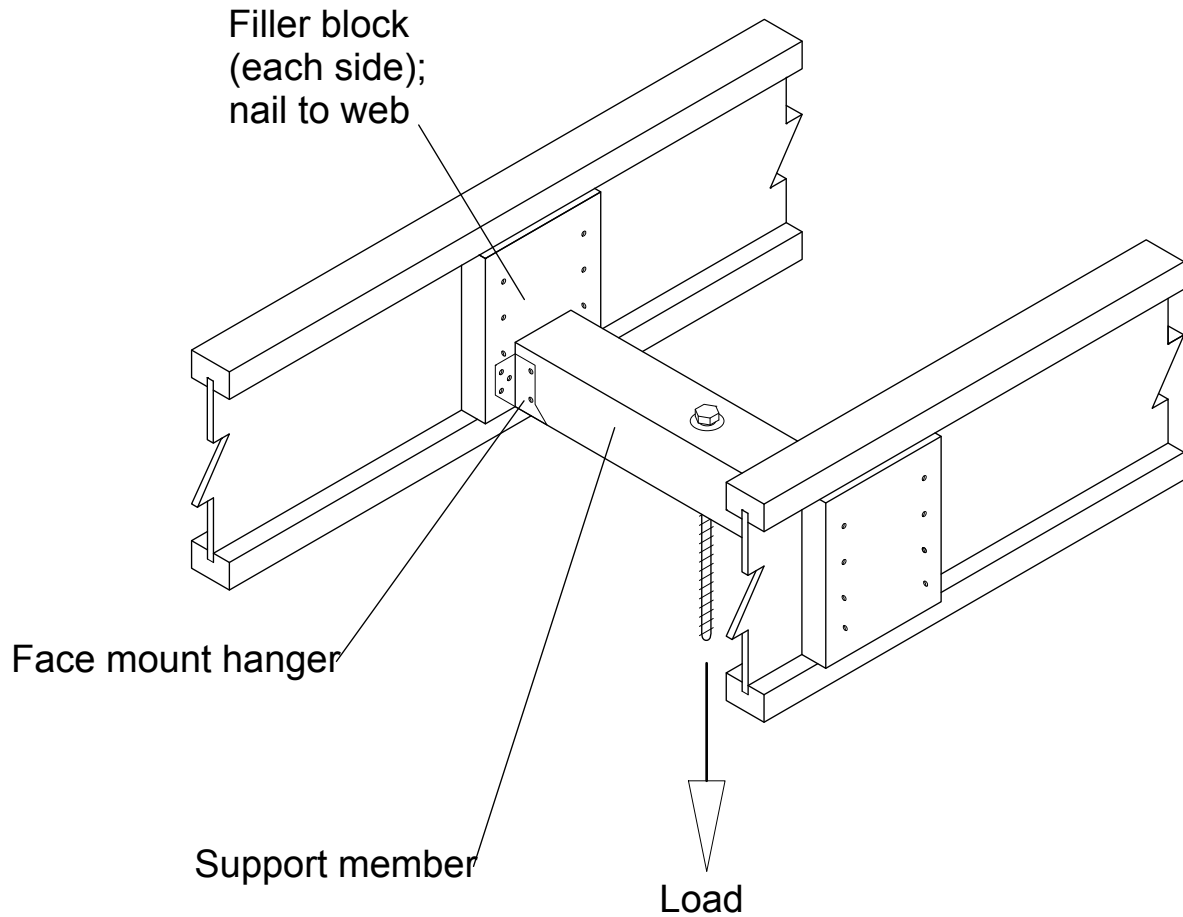


Support Detail



A 250 lb maximum load can be supported on each side of the hanger bottom flange at 5'-0" on-center, provided the load is included in normal design loads. Use this detail for loads exceeding these limits.

For additional information on supporting sprinkler systems, see the Sprinkler System Installation Guide (Reorder #COM-1000)