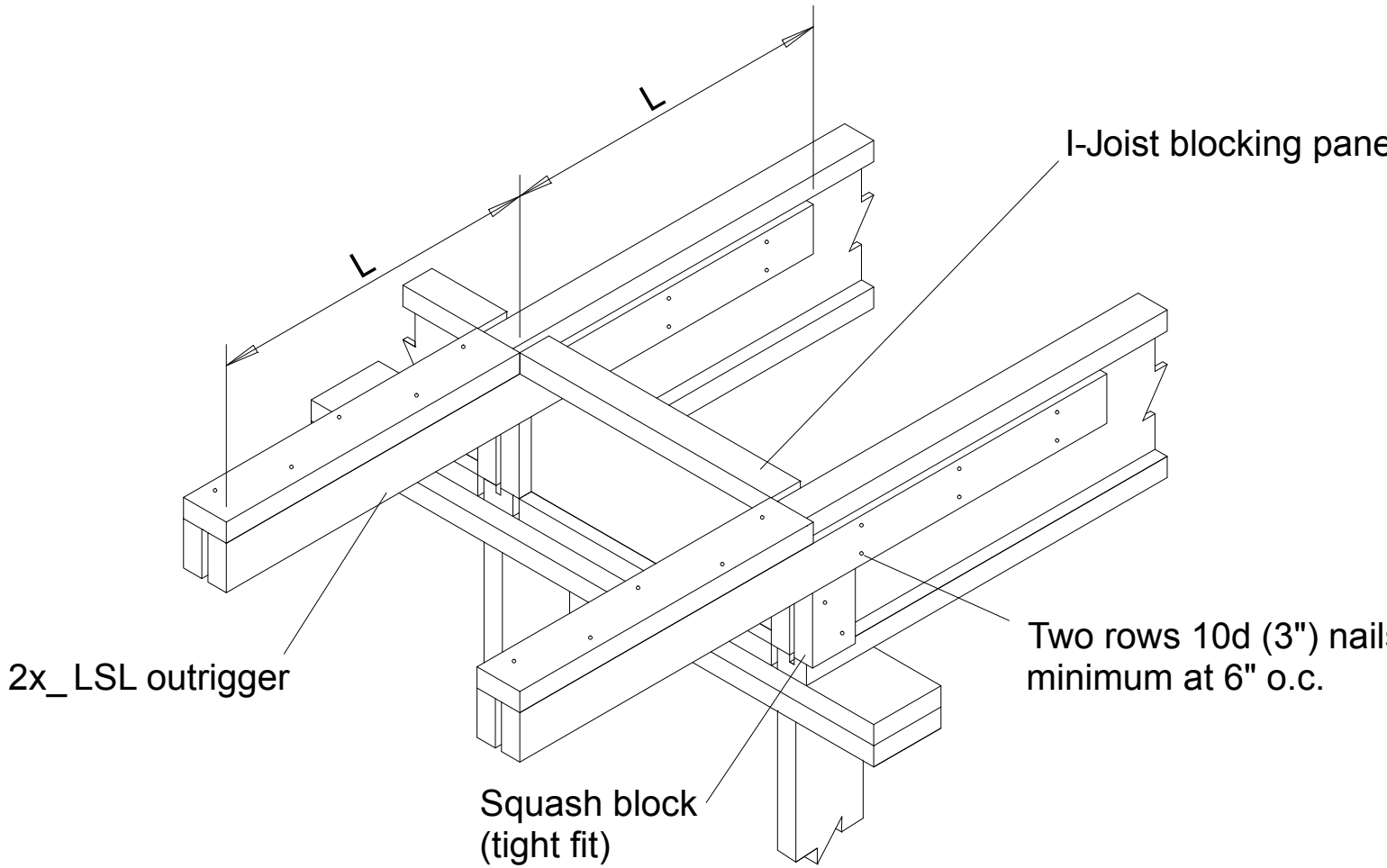


LSL Outrigger



Single or double outrigger can be used, depending upon load. See table and notes in the specifier's guide for capacity.

LSL outriggers and I-Joist are intended for dry-use applications