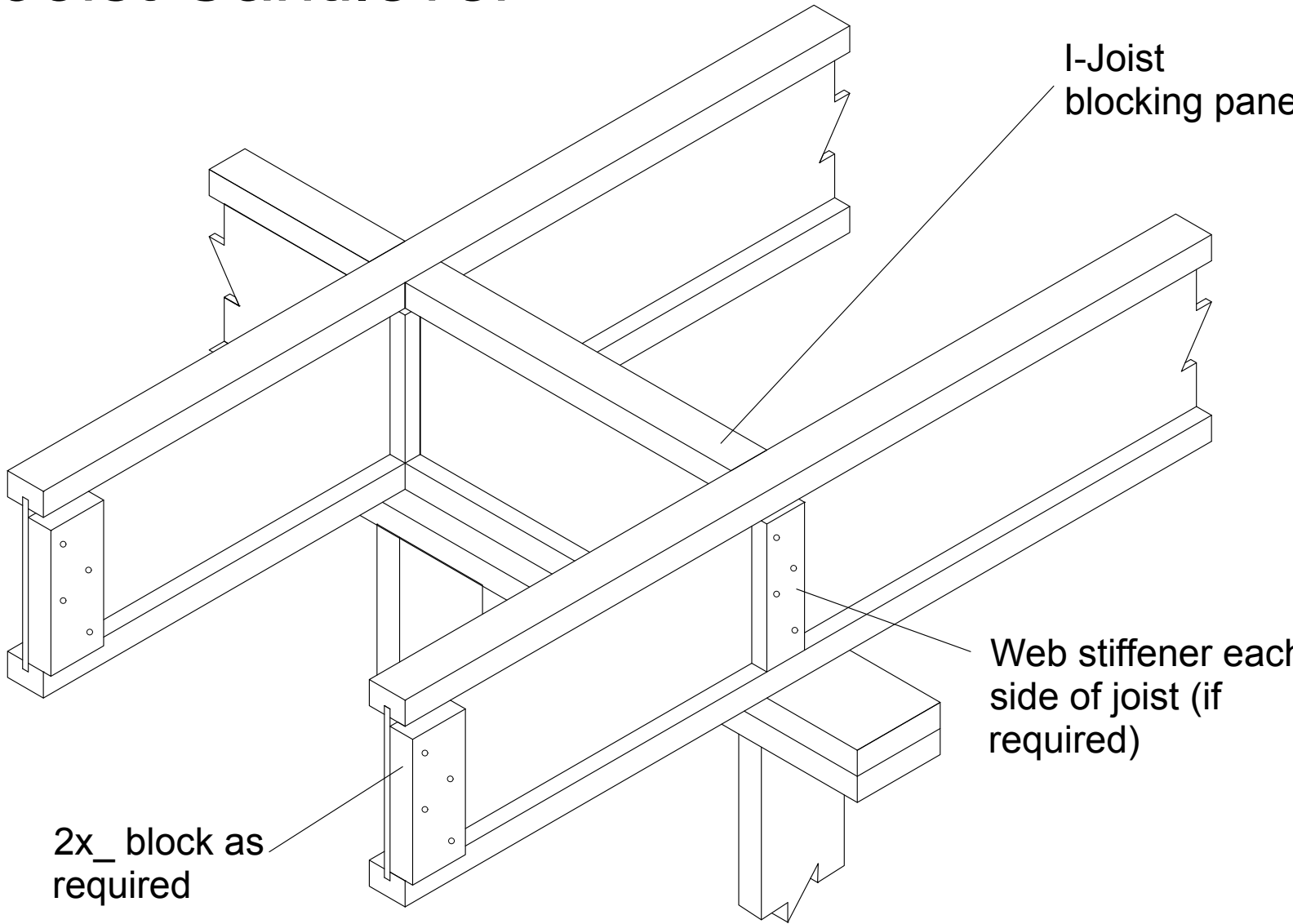


I-Joist Cantilever



I-Joists are intended for dry-use applications