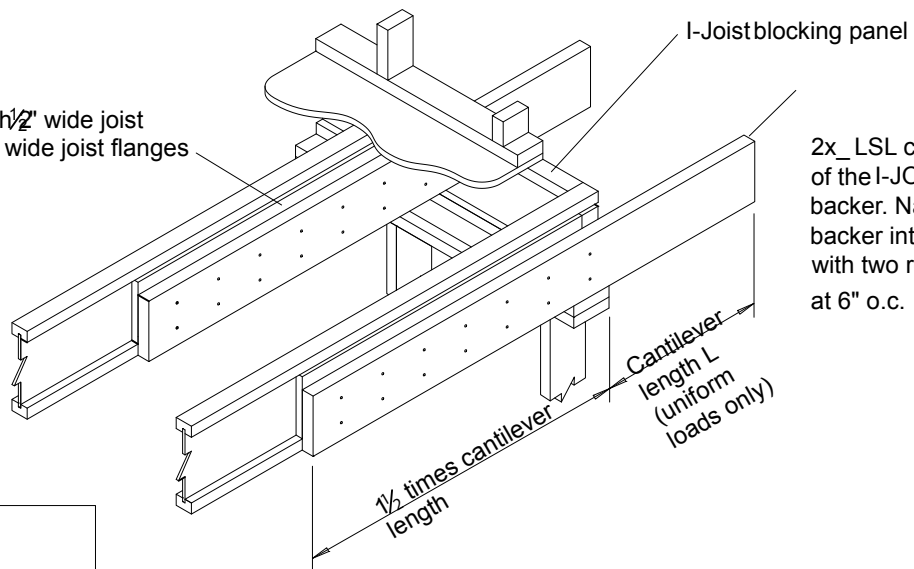


LSL Cantilever

Wood backer: Use 1" net thickness with $\frac{1}{2}$ " wide joist flanges; use 2x_ or $\frac{1}{2}$ " x_LSL with $3\frac{1}{2}$ " wide joist flanges



LSL cantilevers and I-Joists are intended for dry-use applications