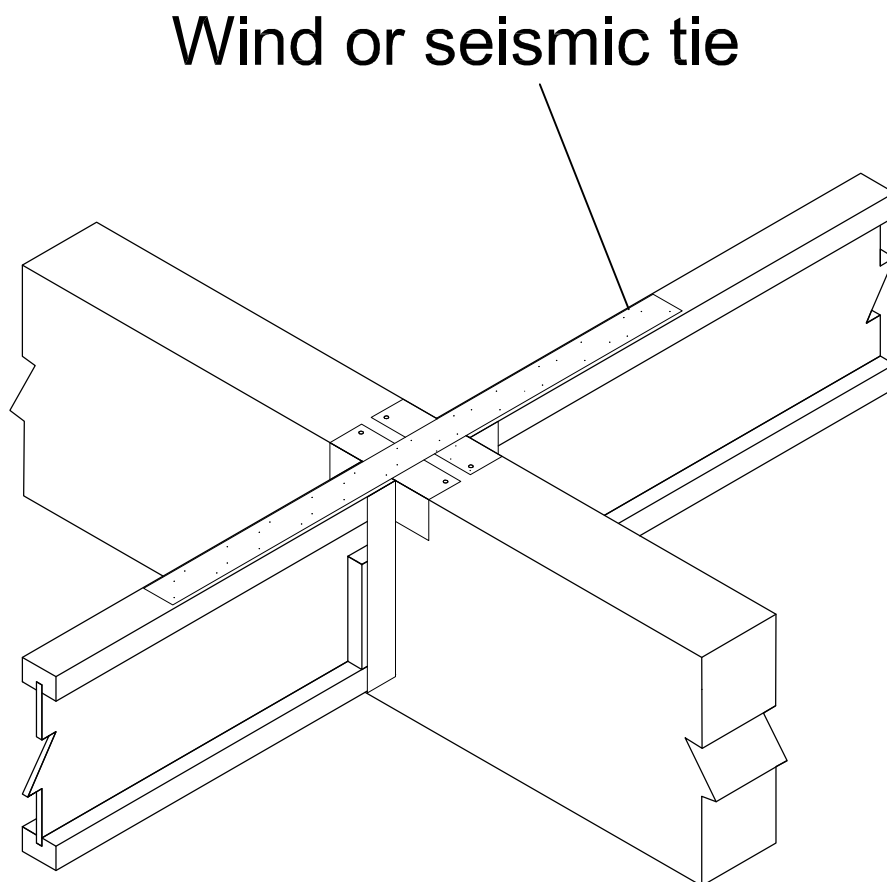


20 Wind or seismic Tie at Butting Joists

Tension straps must have a minimum nail spacing of 3" on-center per row, with a minimum $\frac{3}{8}$ " between rows and maximum nail diameter of 0.148" (10d common).



*See strap manufacturer's literature
for allowable loads.*