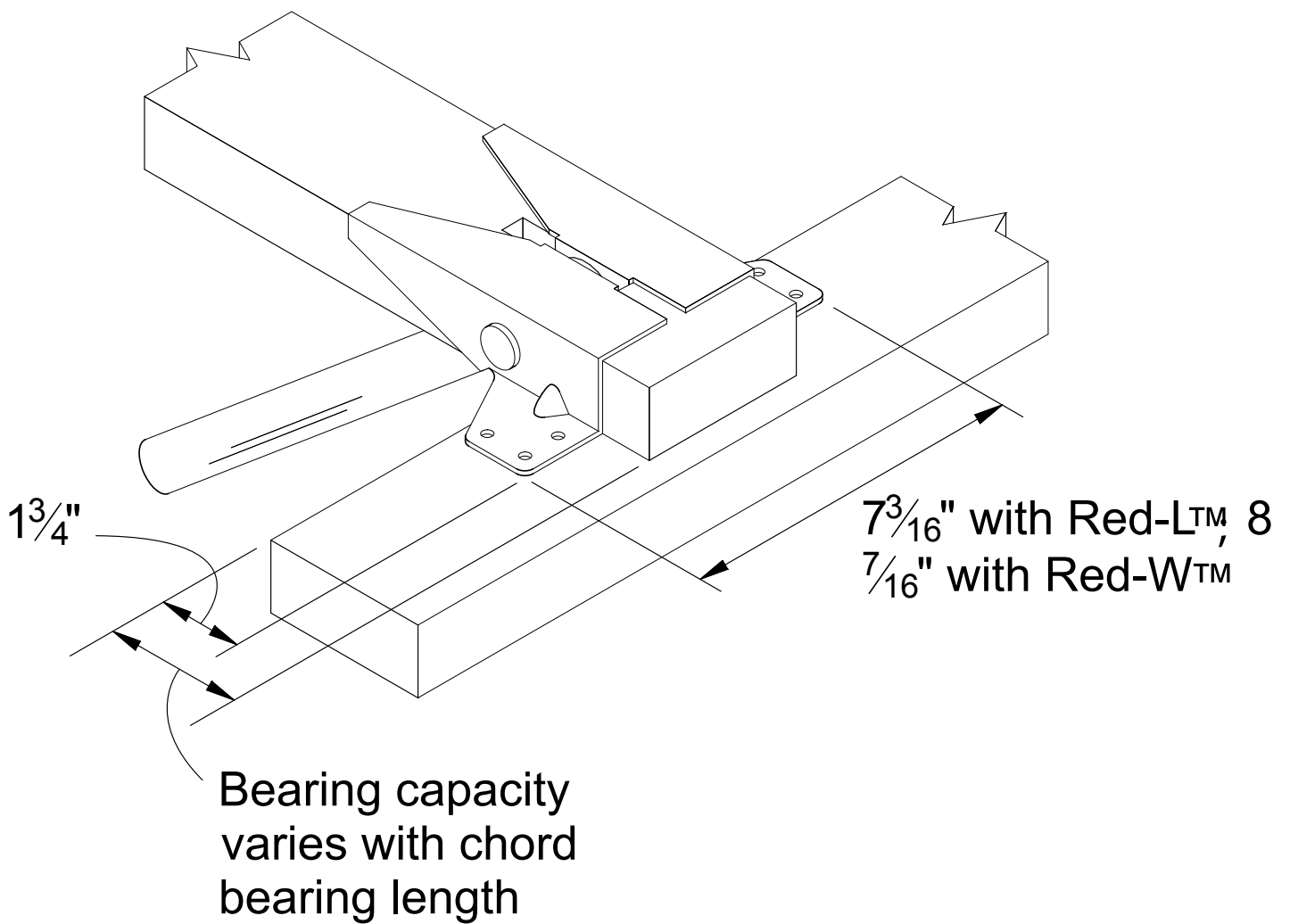


# Top Bearing No-Notch Clip



Pre-notched plate not required