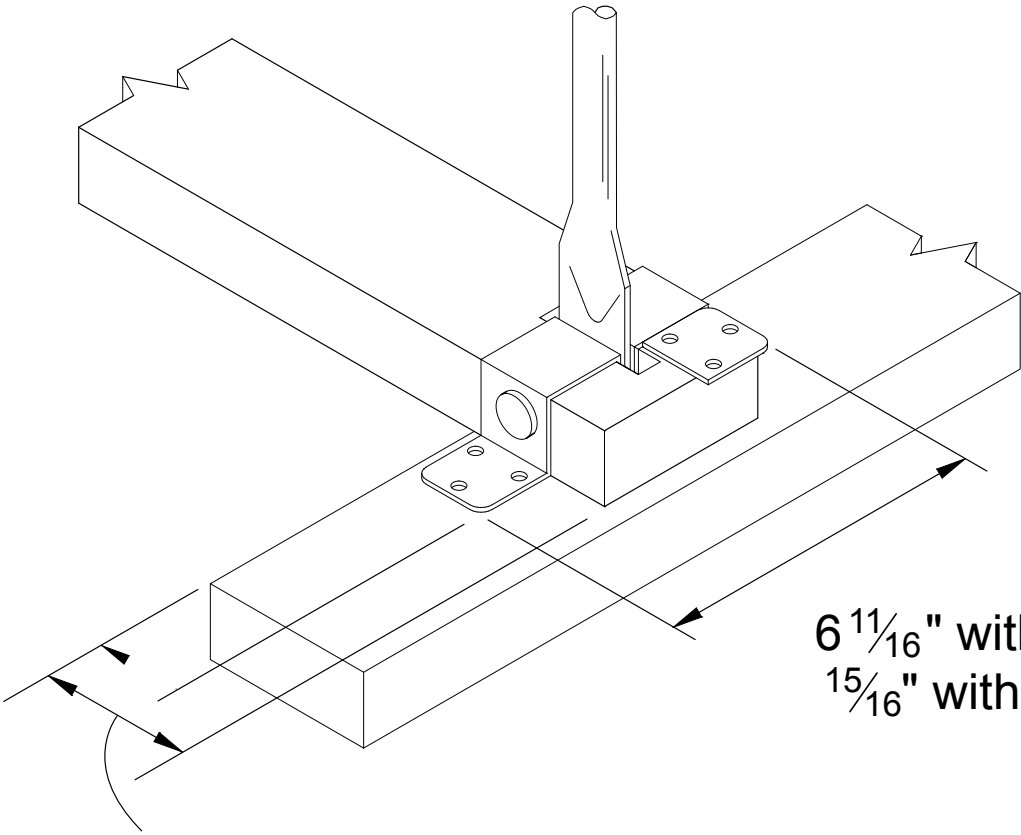


Bottom Bearing

U-Clip



6 ¹¹/₁₆ " with Red-L™ and 7 ¹⁵/₁₆ " with Red-W™ truss.

Bearing capacity varies with chord bearing length