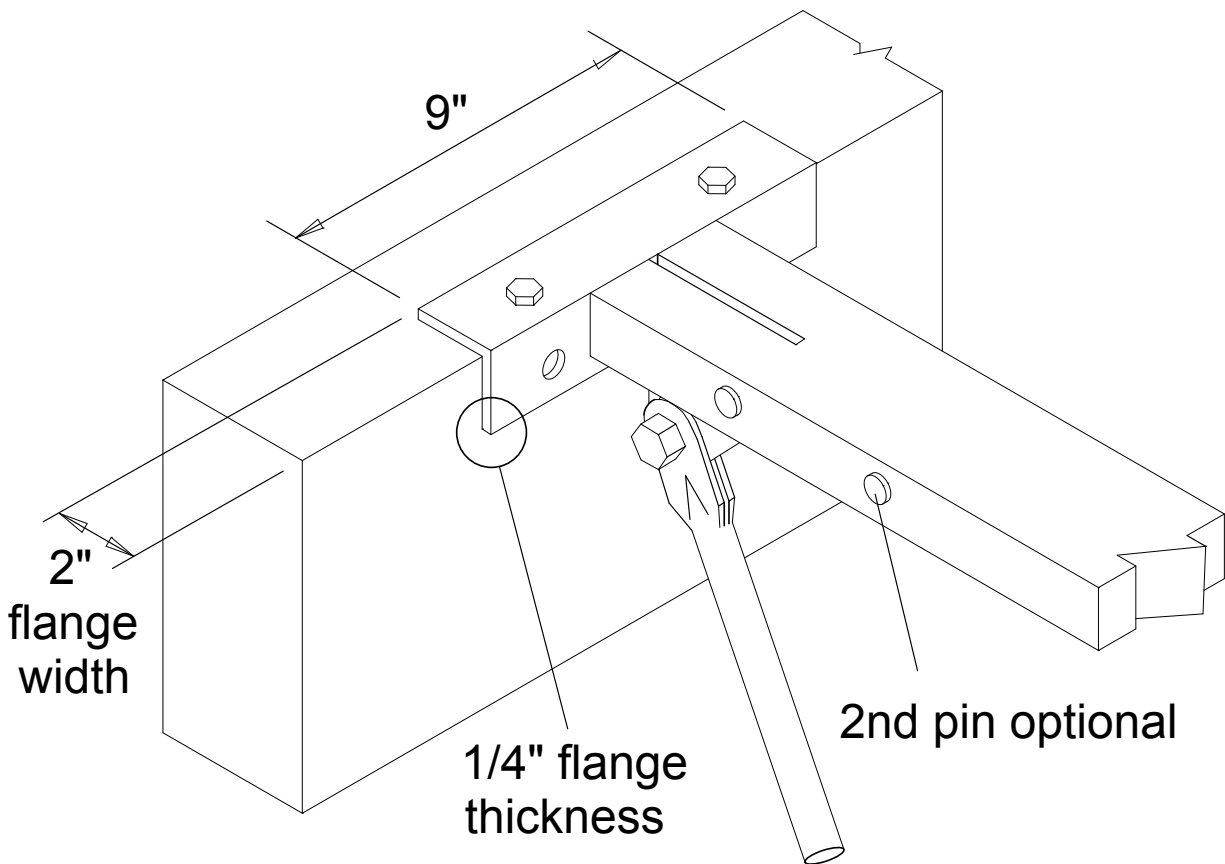


Top Bearing Flush-Mount Clip



Maximum slope is $\frac{1}{2}$ " per foot. Minimum depth is 21". See page 24 and 25 for additional information on Wind or Seismic Connections. For low reactions, depth may be reduced. Contact your local RedBuilt Representative.