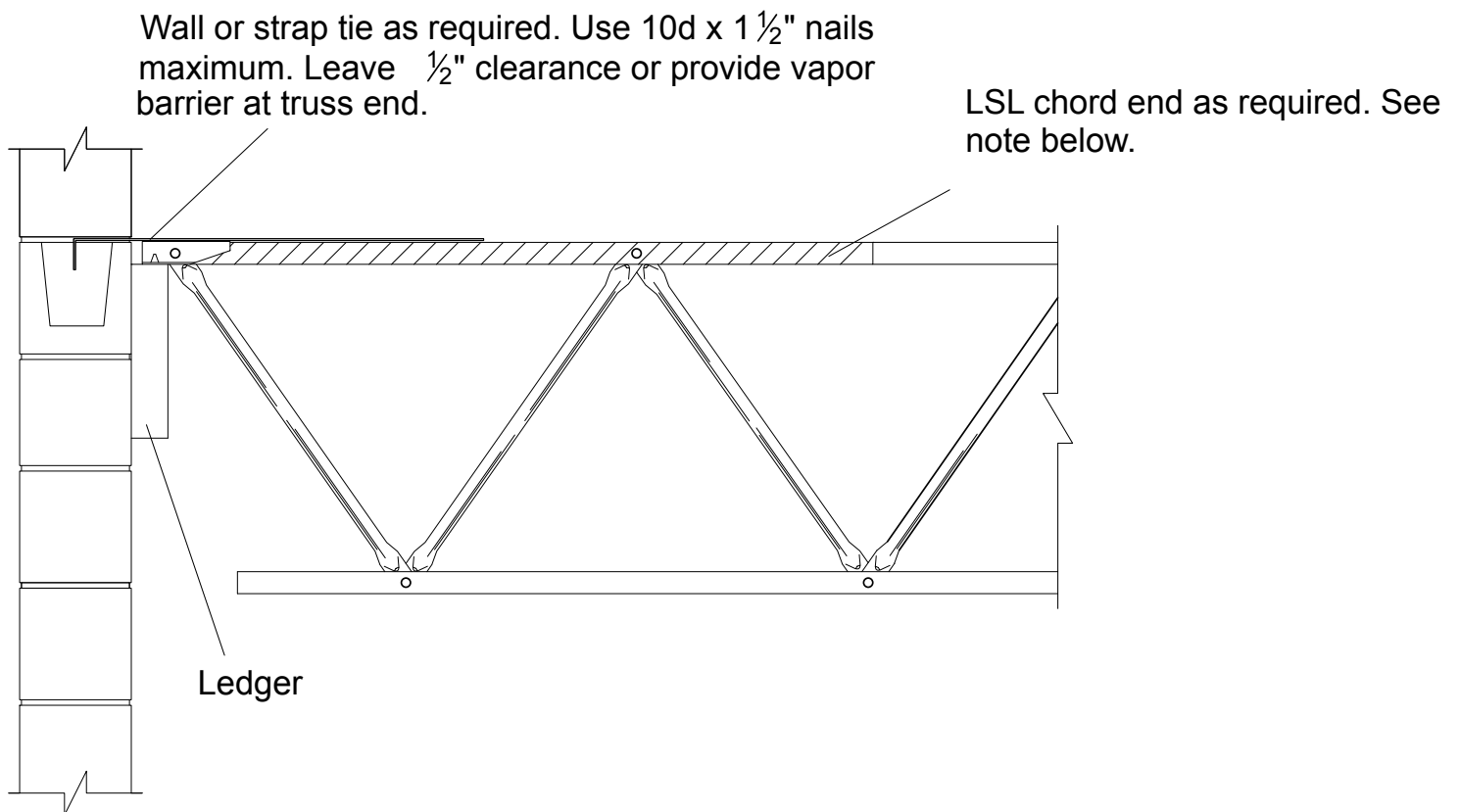


Top Chord Bearing on Ledger

No-Notch Clip



Connections made to 1 1/2" thick LSL may be used for out-of-plane wall anchorage to flexible diaphragms in lieu of the minimum 2 1/2" wood-element thickness specified in Item 5 of Section 1633.2.8.1 of the UBC.