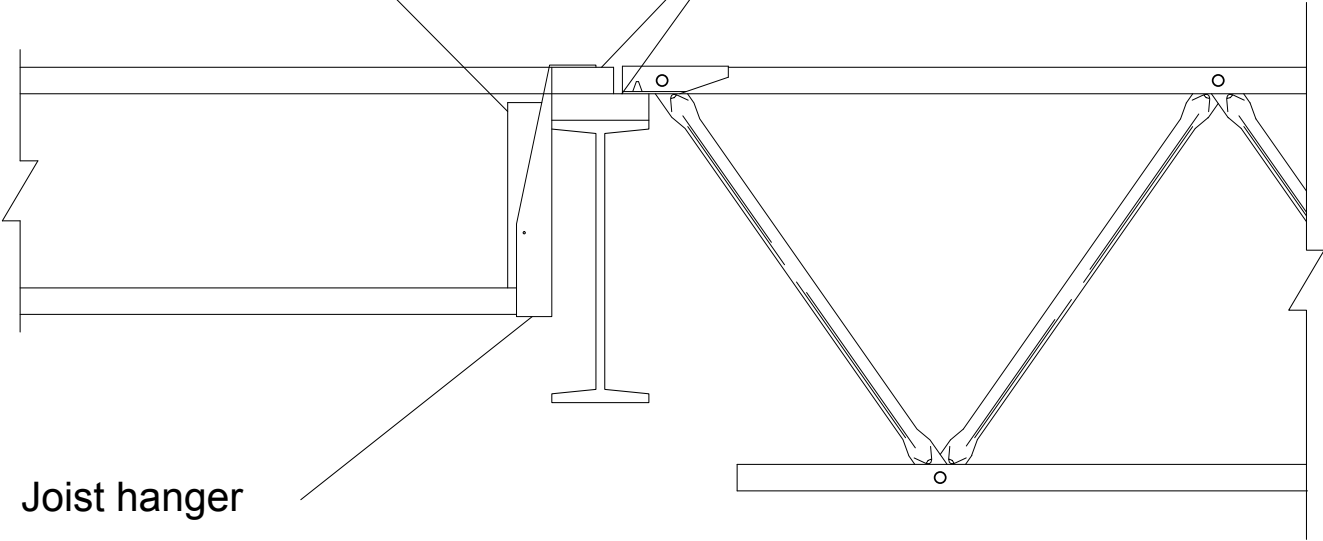


I-Joist Butting with Top Chord Bearing Truss

Web stiffener each side of joist as required

2x_plates



Joist hanger