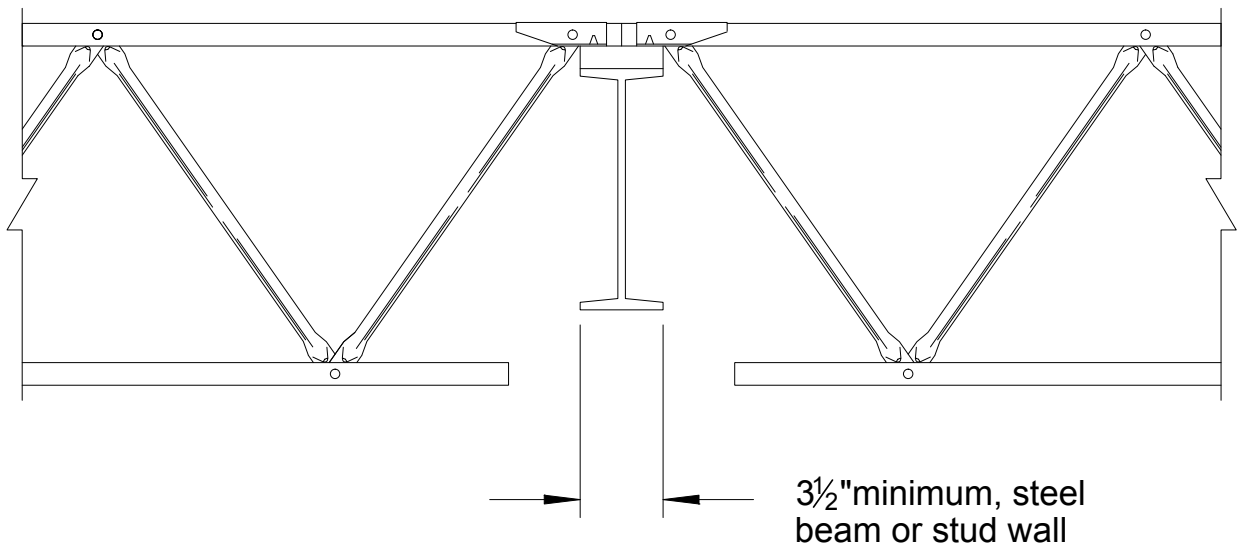


Top Chord Bearing on Steel Beam No-Notch Clip



2,860 lbs reaction capacity at 100% Duration of Load; higher reactions require more bearing length