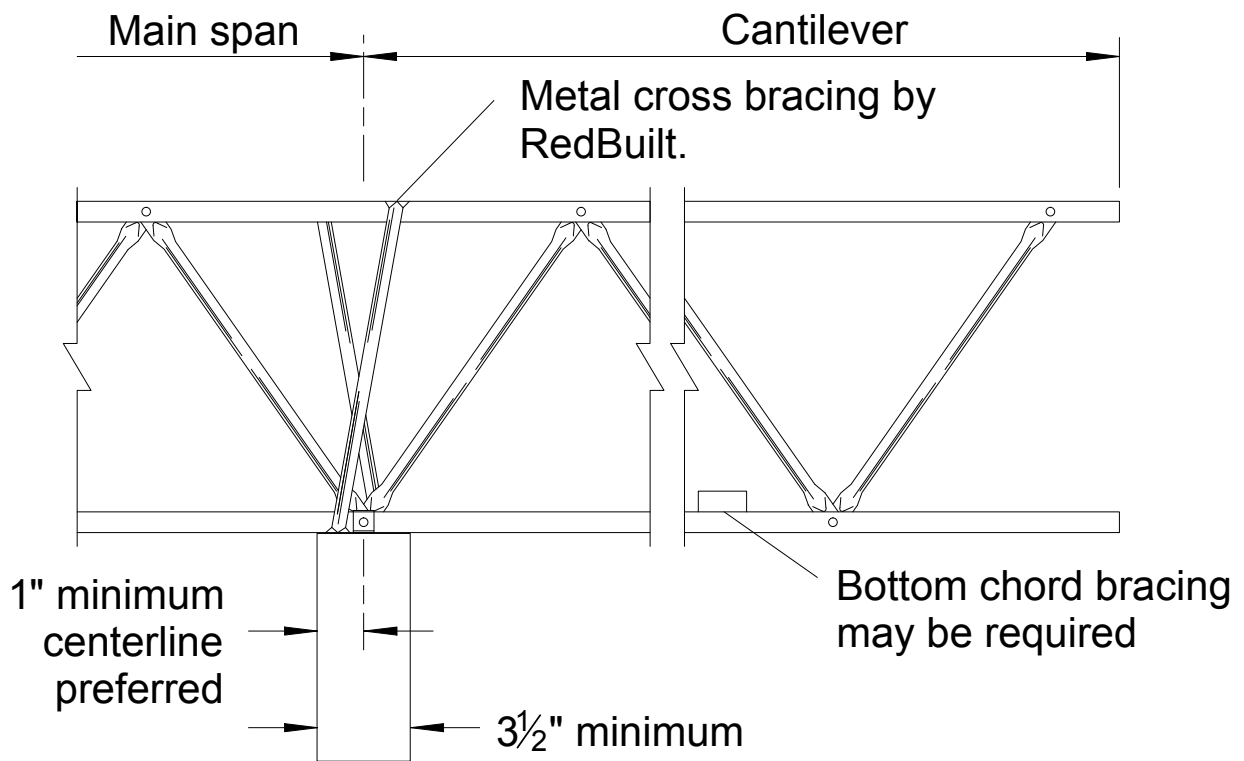


# Bottom Chord Cantilever U-Clip



Contact your RedBuilt™ Representative if cantilever exceeds  $\frac{1}{3}$  of main span