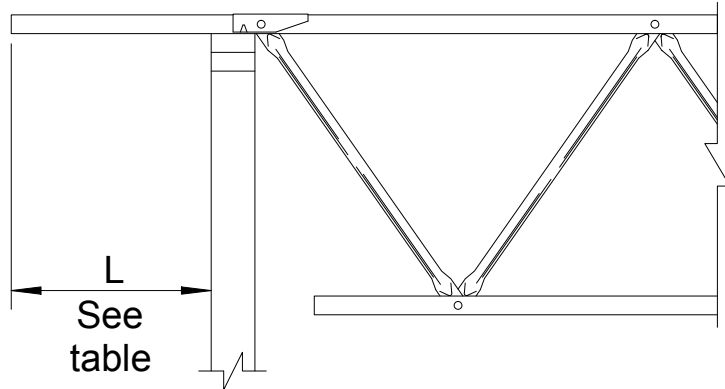


Top Chord Extension No-Notch Clip



Length L	Allowable Uniform Load Capacity (plf)					
	RED-L™ Truss			RED-W™ Truss		
	Floor (100%)	Snow Roof (115%)	Non-Snow Roof (125%)	Floor (100%)	Snow Roof (115%)	Non-Snow Roof (125%)
12"	347	393	426	420	490	525
14"	344	337	363	420	458	492
16"	231	253	253	313	344	344
18"	162	184	184	220	250	250
20"	118	138	138	160	187	187
22"	89	106	106	120	144	144
24"	68	83	83	93	113	113

□ Values are limited by the published backspan capacity (plf).

Design criteria: Deflection: $2L/360$ LL for floors
 $2L/240$ TL for roofs

$F_b=2,100$ psi
 $E^6=1.8 \times 10^6$ psi

$F_v=135$ psi