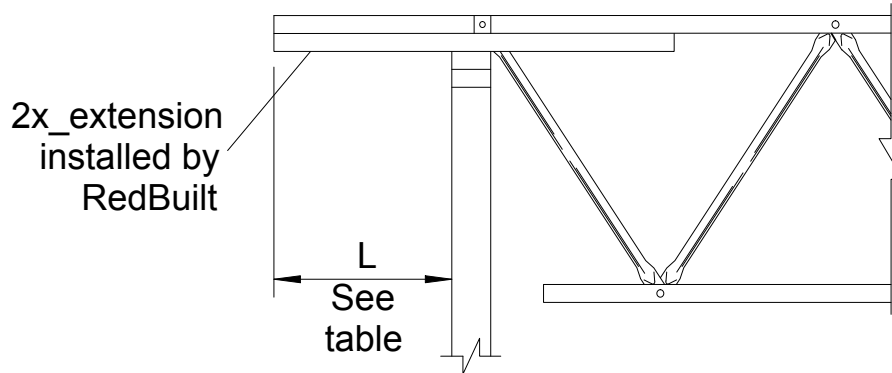


Double Top Chord Extension



Length L	Allowable Uniform Load Capacity (plf)					
	RED-L™ Truss			RED-W™ Truss		
	Floor (100%)	Snow Roof (115%)	Non-Snow Roof (125%)	Floor (100%)	Snow Roof (115%)	Non-Snow Roof (125%)
12"	347	393	426	420	490	525
14"	347	393	426	420	490	525
16"	347	393	426	420	490	525
18"	324	368	368	320	490	499
20"	236	276	276	321	374	374
24"	137	166	166	186	225	225
28"	86	108	108	117	146	146
32"	58	74	74	78	100	100

□ Values are limited by the published backspan capacity (plf).

Design criteria: Deflection: 2L/360 LL for floors
2L/240 TL for roofs

$F_b=2,100$ psi
 $E=1.8 \times 10^6$ psi

$F_v=135$ psi