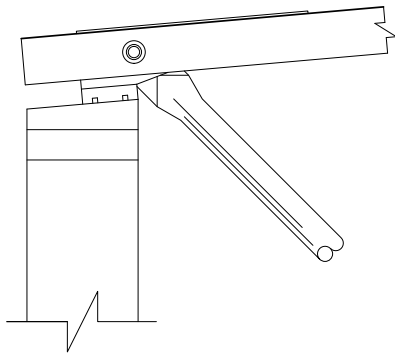
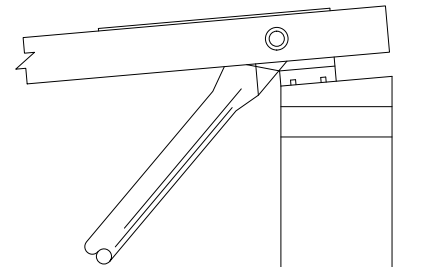


# Beveled Plate Requirements- Top Chord Bearing



Low End

Beveled plate is required for all slopes greater than  $\frac{1}{4}$ " in 12"



High End

Beveled plate is required for all slopes when trusses are cantilevered