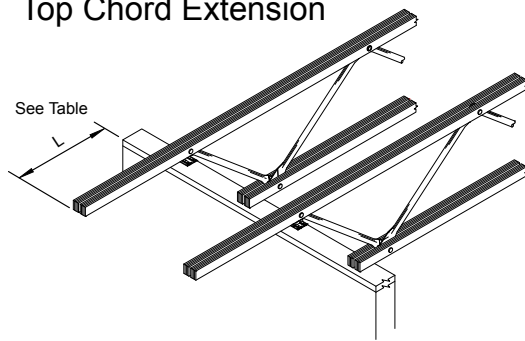


Top Chord Extension



The following criteria were used to develop this values:

$F_v = 285 \text{ psi}$
 $F_b = 3,000 \text{ psi (1)}$
 $E = 2.0 \times 10^6 \text{ psi}$

(1) For 12" depth

For others depths, multiply by $\left[\frac{d}{12}\right]^{0.136}$

Deflection:
 $2L/360$ at total load for floors
 $2L/$ at total load for roofs

Length L	Chord Extension Capacity (plf)		
	Floor (100%)	Snow Roof (115%)	Non-Snow Roof (125%)
24"	106	159	159
30"	63	94	94
36"	40	60	60
42"		41	41
48"		29	29

Values are limited by the published backspan capacity (plf).

Cantilever design considers "L" plus distance to centerline of bearing pin (flush with inside face of wall). 2x8 bearing plate is assumed.