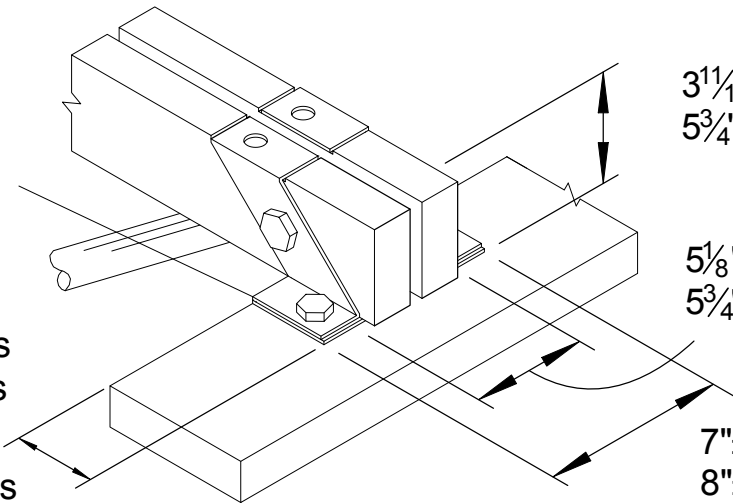


Top Chord Bearing Z-Clip

Clip will overhang $\frac{1}{4}$ "
with RED-M™ truss

$1\frac{1}{2}$ " with RED-M™ truss
 $1\frac{3}{4}$ " with RED-H™ truss

$2\frac{3}{4}$ " with RED-M™ truss
 $3\frac{1}{2}$ " with RED-H™ truss



$3\frac{11}{16}$ " with RED-M™ truss
 $5\frac{3}{4}$ " with RED-H™ truss

$5\frac{1}{8}$ " with RED-M™ truss
 $5\frac{3}{4}$ " with RED-H™ truss

$7\pm$ " with RED-M™ truss
 $8\pm$ " with RED-H™ truss