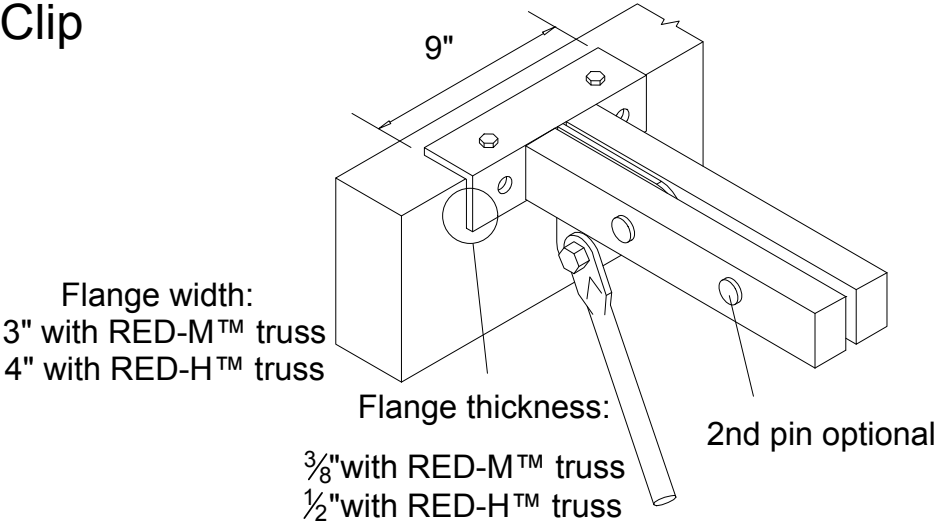


Top Chord Bearing

No-Notch Clip



Maximum slope is $\frac{1}{2}$ " per foot. Minimum depth is 30" for RED-M™ trusses and 31" for RED-H™ trusses. For low reactions, depth may be reduced. Contact your local RedBuilt Representative.