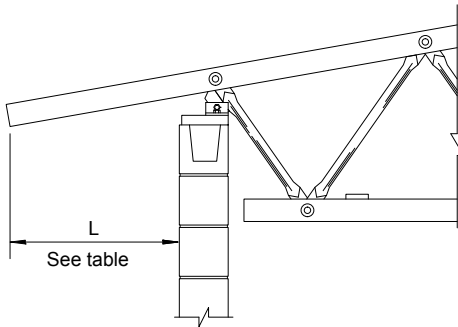


## Typical Top Chord Extension P-Clip



The following criteria were used to develop the values:

$F_v = 135 \text{ psi}$  Deflection:  
 $F_b = 2,100 \text{ psi}$   $2L/360$  at LL for Floors  
 $E = 1.8 \times 10^6 \text{ psi}$   $2L/240$  at TL for Roofs

Cantilever design considers "L" plus distance to centerline of wall.  
 2x8 bearing plate is assumed.

Length	Chord extension Capacity (plf)					
	RED-M™			RED-H™		
	Floor 100%	Snow Roof (115%)	Non-Snow Roof (125%)	Floor 100%	Snow Roof (115%)	Non-Snow Roof (125%)
24"	274	315	342	341	392	426
30"	226	260	283	282	324	352
36"	155	221	232	240	276	300
42"	102	154	154	209	240	261
48"	71	107	107	185	213	231
54"	51	77	77	166	191	208
60"	38	58	58	149	173	188
66"	29	44	44	114	159	171
72"		34	34	89	134	134

Values are limited by the published backspan capacity (plf).