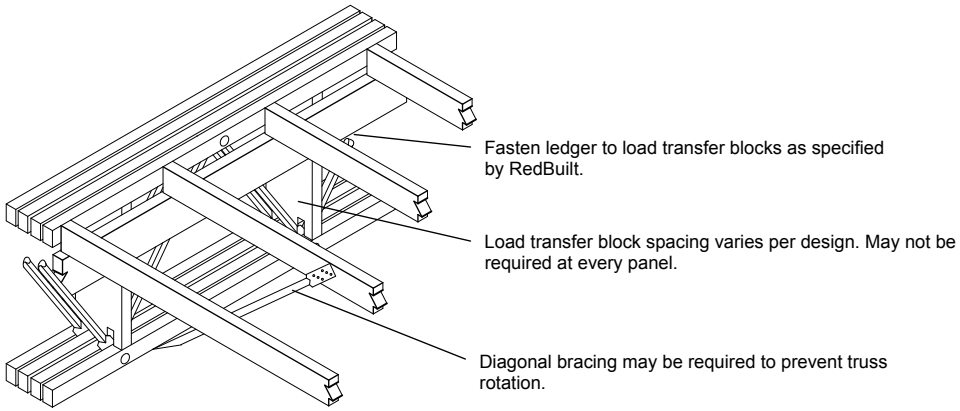


## Side-Loaded Double Truss Assembly



Truss Series	Maximum Load Per Transfer Block
RED-L™RED-W™	700 lbs
RED-S™RED-M™	1,200 lbs
RED-H™	1,300 lbs

Load transfer blocks are required only when the load is imposed from the side