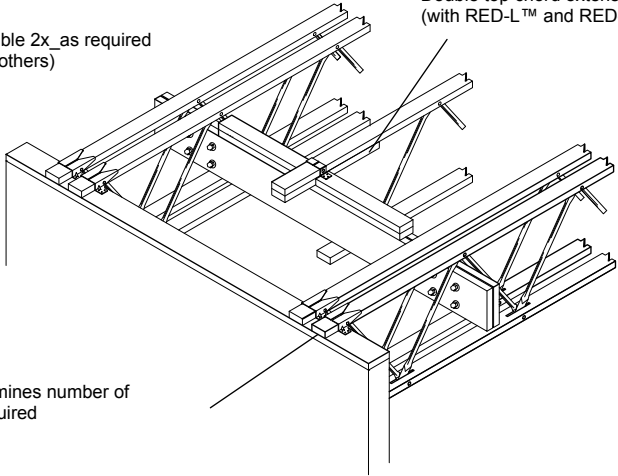


Header Detail

Double 2x_{as} required
(by others)

Double top chord extension
(with RED-L™ and RED-H™ trusses)



Load determines number of
trusses required

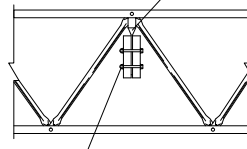
Truss depth, design load, and web angle may limit header size. Check feasibility with your local RedBuilt representative.

Maximum allowable Header Clip Load Per Truss

Truss series	Single Truss		Double Truss	
	Reaction	Header Bolts Required	Reaction	Header Bolts Required
RED-L™, RED-H™, RED-W™	2,300 lbs	2	2,900 lbs	4
RED-S™	4,000 lbs	4	5,000 lbs	6
RED-M™	5,500 lbs	4	6,900 lbs	6
RED-H™	7,900 lbs	4	9,800 lbs	6

- Table values do not consider header or header connections designs.
- Table values are based on large truss pins. Contact your local RedBuilt representative to ensure that the truss application works with the corresponding header reaction

Header hanger by RedBuilt



Use 5/8" bolts for single chord trusses, 3/4" bolts for double chord trusses.