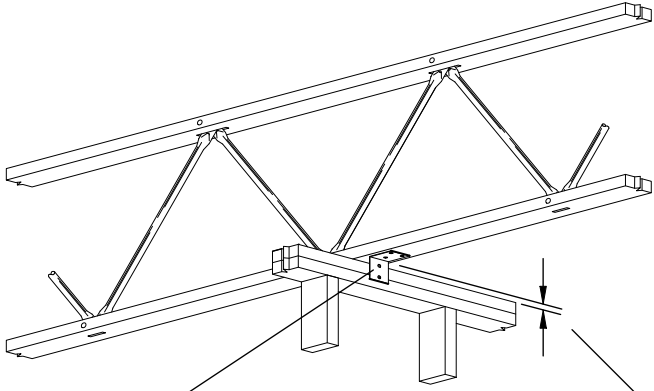


Non-Bearing Partitions

Perpendicular to Truss



Clip attached to truss only

Required clearance equal to deflection

Parallel to Truss

