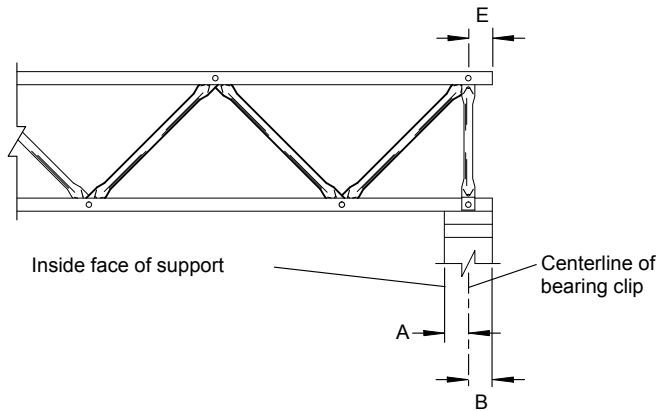


Bottom Chord Bearing



When possible, locate bottom chord bearing clip at centerline support.

Dimensions for Detailing

Truss Series	Bearing Clip	Top Chord Bearing ⁽¹⁾					Bottom Chord Bearing ⁽¹⁾				
		A	B	C		D	A	B	C		E
				Minimum ^{(2) (3)}	Minimum Required at Maximum Load				Minimum ^{(2) (3)}	Minimum Required at Maximum Load	
RED-L™ RED-W™	No-NotchClip	7/8"	7/8"	2 3/16"	9"	1 1/2"	7/8"	7/8"	2 3/16"	9"	2 1/4"
	U-Clip	1"	1 1/4"	2 3/16"	9"	1 1/2"	1"	1 1/4"	2 3/16"	9"	1 1/4"
RED-S™	S-Clip	1 3/8"	1 3/8"	2 5/8"	9"	3 1/2"	-	-	-	-	-
	Angle Clip	-	-	-	-	-	1 3/4"	1 3/4"	2 5/8"	9"	1 3/4"
RED-M™	S-Clip	1 3/16"	1 15/16"	3 1/2"	12"	3 5/8"	1 3/16"	1 15/16"	3 1/2"	12"	3 1/2"
	Angle Clip	-	-	-	-	-	2"	2"	3 1/2"	12"	2"
	Pedestal Clip	1 3/4"	Varies ⁽⁴⁾	3 1/2"	12"	Varies ⁽⁴⁾	-	-	-	-	-
	Z-Clip	1 3/8"	1 5/8"	3 1/2"	12"	3 1 1/16"	1 3/8"	1 5/8"	3 1/2"	12"	3 1/2"
	T-Clip	-	-	-	-	-	1 3/4"	2"	3 1/2"	12"	2"
RED-H™	Pedestal Clip	1 3/4"	Varies ⁽⁴⁾	4 3/8"	15"	Varies ⁽⁴⁾	-	-	-	-	-
	Z-Clip	2 7/16"	2 7/16"	4 3/8"	15"	5 3/4"	1 3/4"	2 7/16"	4 3/8"	15"	4 3/8"
	T-Clip	-	-	-	-	-	1 3/4"	2 5/8"	4 3/8"	15"	2 5/8"

(1) Minimum support width equals A+B (2xA at bottom chord cantilever).

(2) Actual pin to end distance is based on forces in truss chord. Minimum cut-off may not be acceptable.

(3) Based on 2001 ND[®] minimum edge distance of 3.5D

(4) Pedestal clip geometry is dependent on the starter web angle and top chord slope.

Legend
A=Face of support to centerline of bearing clip
B=Centerline of bearing clip to end of chord
C=Pin to end of chord
D=Bearing clip height
E= Pin to end of chord with vertical web