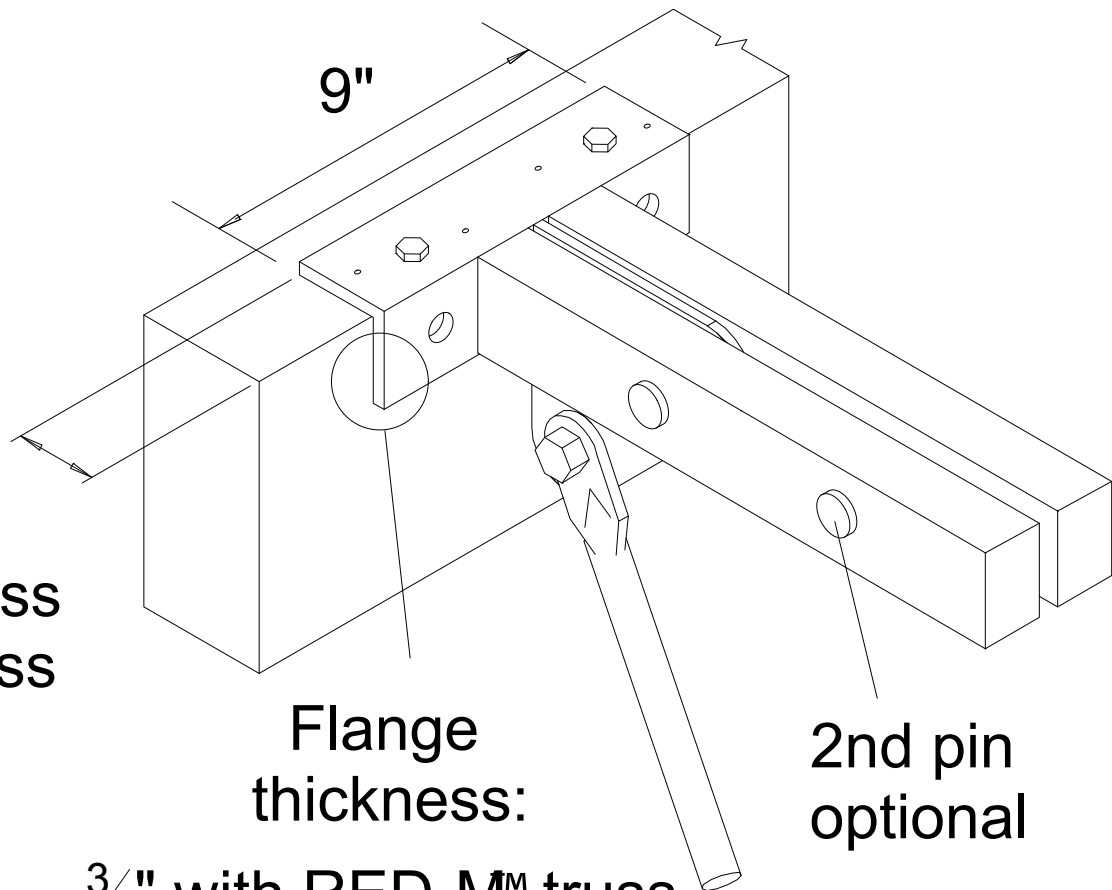


# Double Chord Flush-Mount Bearing Clip with Nailer

Flange width:  
3" with RED-M<sup>M</sup> truss  
4" with RED-H<sup>M</sup> truss



Flange thickness:  
 $\frac{3}{8}$ " with RED-M<sup>M</sup> truss  
 $\frac{1}{2}$ " with RED-H<sup>M</sup> truss

2nd pin optional