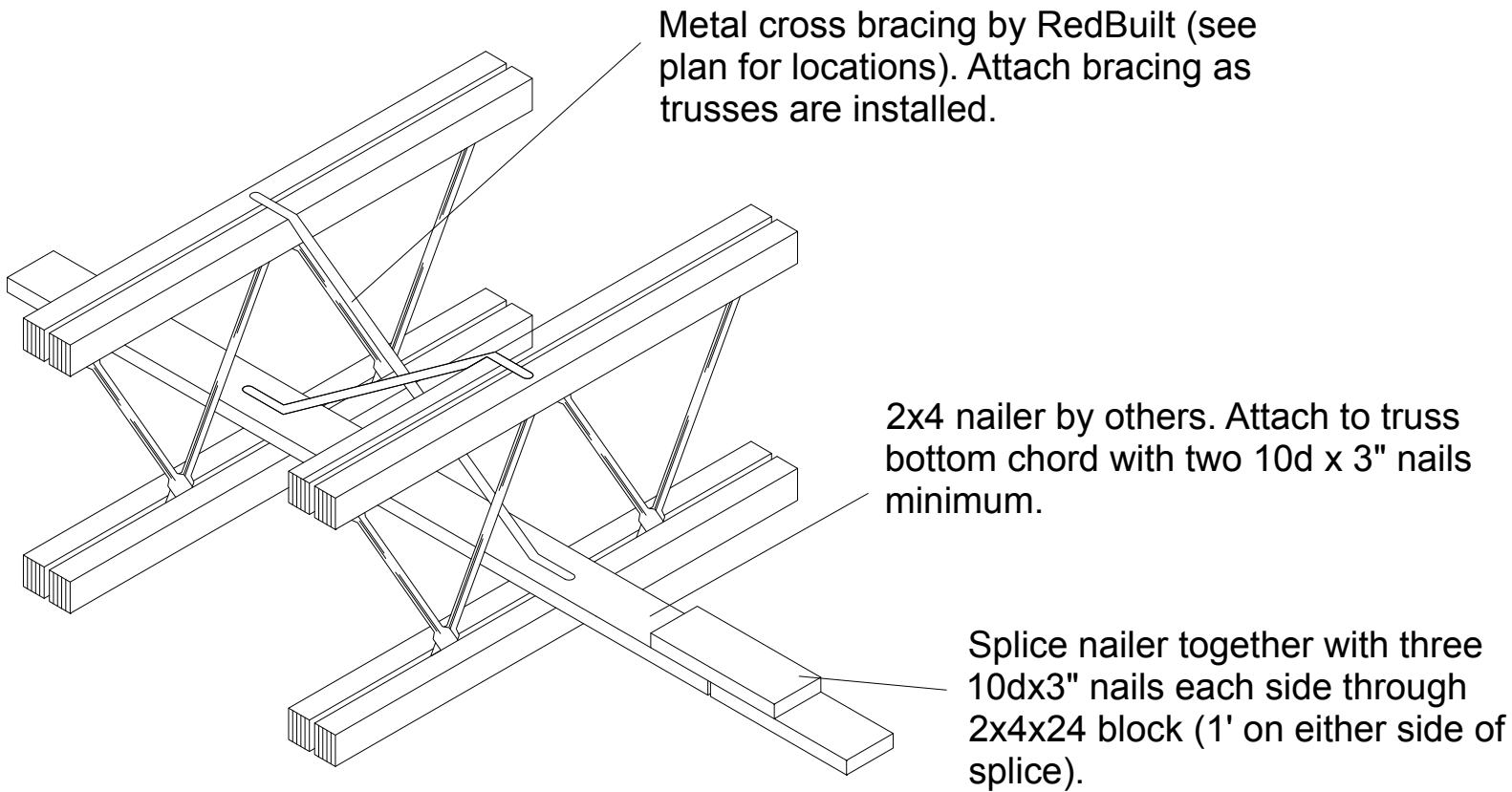


Cross Bracing with 2X4 Nailer



For wind bracing on RED-SSM, RED-MTM, and RED-HTM trusses

Truss bottom chord bracing may be required by building code provisions for wind uplift design with roof trusses do not have direct applied ceilings. Project engineer shall specify wind load; contact RedBuilt representative for specific wind bracing stability requirements.