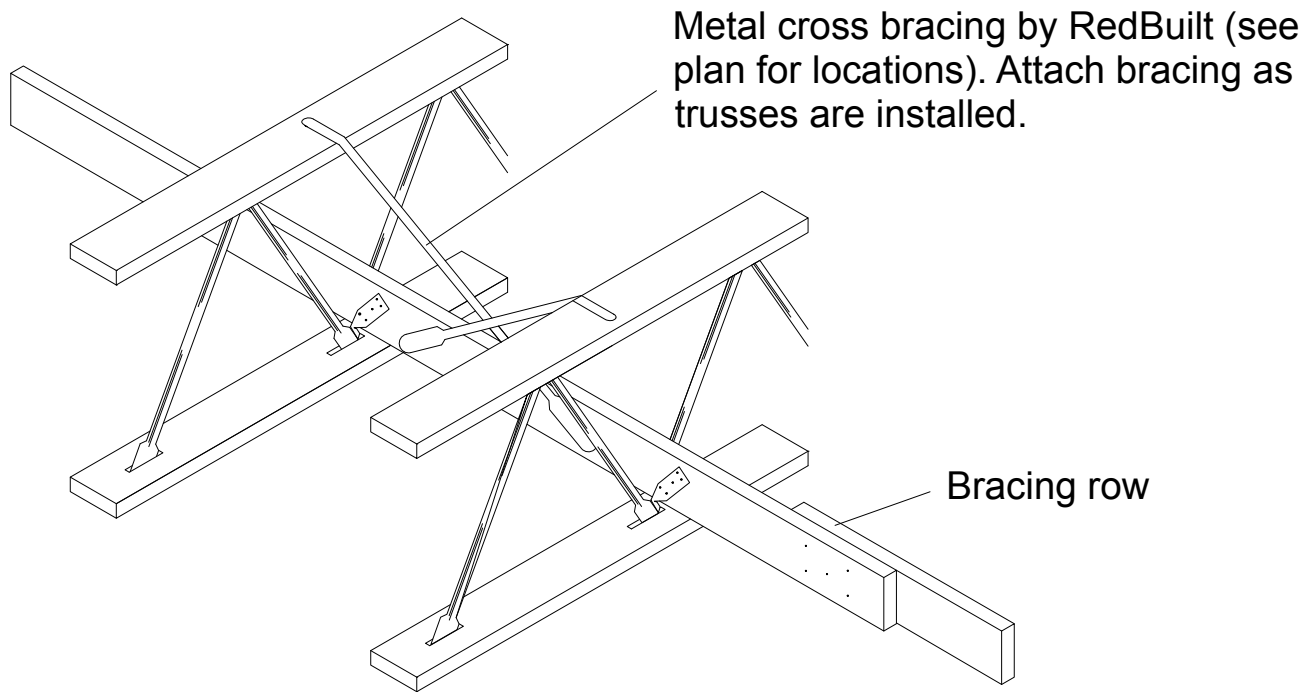


Cross Bracing with Bridging Row



For wind bracing on RED-^{EM} and RED-^{WM} trusses

Truss bottom chord bracing may be required by building code provisions for wind uplift design when roof trusses do not have direct applied ceilings. Project engineer shall specify wind load; contact RedBuilt representative for specific wind bracing stability requirements.