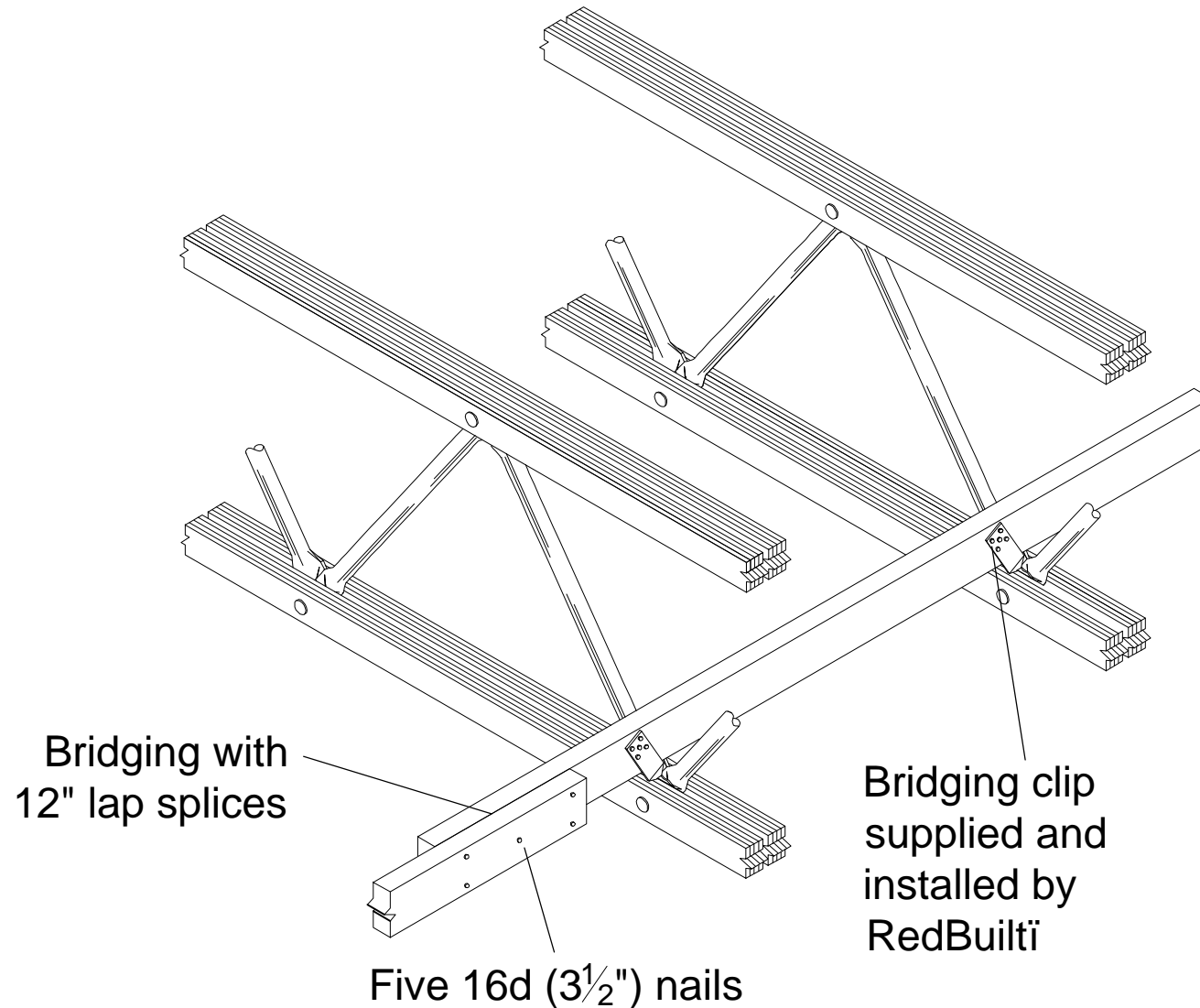


74 RED-Si Trusses



Field bend the bridging clip approximately 30 degrees before nailing to the bridging row