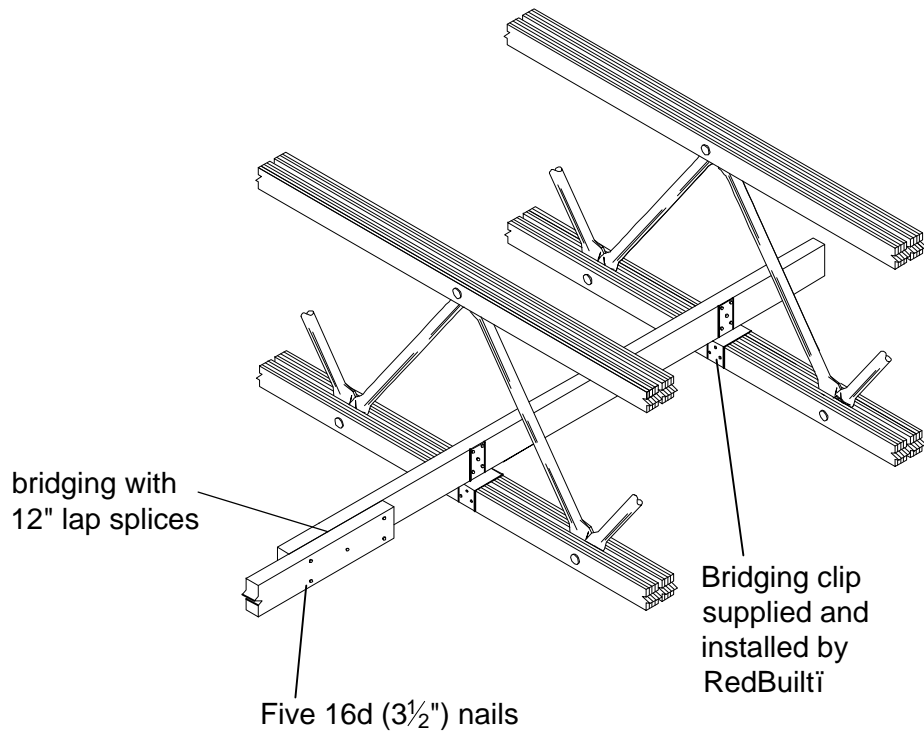


75 Red-Mi and Red-Hi Trusses



Truss Spacing	Size of Continuous Bridging Member
12"-16" o.c.	2x4 ⁽¹⁾⁽²⁾
19.2"-32" o.c.	2x6 ⁽¹⁾⁽²⁾
48" o.c.	2x6 ⁽¹⁾ , 2x8 ⁽³⁾

- (1) Minimum 1650 F_b grade MSR.
- (2) If minimum 2100 F_b grade is specified, 2x4 bridging may be used, up to 24" on-center.
- (3) Douglas fir-larch or southern pine, minimum grade #2.