

**DIVISION: 06 00 00—WOOD, PLASTICS AND COMPOSITES**  
**Section: 06 17 00—Shop-Fabricated Structural Wood**

**REPORT HOLDER:**

REDBUILT™ LLC

**EVALUATION SUBJECT:**

OPEN-WEB TRUSSES

**1.0 EVALUATION SCOPE**

**Compliance with the following codes:**

- 2018, 2015, 2012, and 2009 *International Building Code*® (IBC)
- 2018, 2015, 2012, and 2009 *International Residential Code*® (IRC)

For evaluation for compliance with codes adopted by the Los Angeles Department of Building and Safety (LADBS), see [ESR-1774 LABC and LARC Supplement](#).

**Properties evaluated:**

- Structural
- Sound ratings
- Fire-resistance ratings

**2.0 USES**

The Open-Web trusses described in this report are used as floor joists or roof rafters.

**3.0 DESCRIPTION**

**3.1 General:**

Open-Web trusses are Warren-style trusses that have either parallel, tapered or pitched chord members. The trusses have sawn lumber or engineered wood chords, steel-tube webs, and solid-steel pins used as web-chord connectors. Open-Web trusses recognized in this evaluation report are designated Red-L™, Red-W™, Red-S™, Red-M™, and Red-H™. These products may also be trademarked as TJL™, TJW™, TJS™, TJM™, and TJH™, respectively. Sheathing materials are nailed directly to the top chord members. Ceilings are either attached directly to the bottom chord, applied to stripping or resilient (or hat) channels attached to the bottom chord, or are suspended from the bottom chord.

**3.2 Red-L Open-Web Truss:**

Chords are single nominal 2-by-4 MSR (machine stress rated) lumber, or 1.5-inch-by-3.5-inch (38 mm by 89 mm) Laminated Veneer Lumber (LVL) or Laminated Strand

Lumber (LSL) positioned flatwise. Web members are round steel tubing connected to the chord members with either 3/8-inch- or 5/8-inch-diameter (9.5 mm or 15.9 mm) solid-steel pins.

**3.3 Red-W Open-Web Truss:**

Chords are single 1.5-inch-by-4.75-inch (38 mm by 121 mm) MSR lumber or LSL positioned flatwise. Web members are round steel tubing connected to chord members with either 3/8-inch- or 5/8-inch-diameter (9.5 mm or 15.9 mm) solid-steel pins.

**3.4 Red-S Open-Web Truss:**

Chords are double 1.5-inch-by-2.3-inch (38 mm by 58 mm) LVL members positioned edgewise. Web members are round steel tubing connected to chord members with either 1/2-inch- or 3/4-inch-diameter (12.7 mm or 19.1 mm) solid-steel headed pins. The pins are held in place by spring-clip washers placed on the end of the pins. Tension chords are continuous without finger joints, and compression chords may contain finger joints.

**3.5 Red-M Open-Web Truss:**

Chords are double nominal 2-by-4 MSR lumber or 1.5-inch-by-3.5-inch (38 mm by 89 mm) LVL positioned edgewise. Web members are round steel tubing connected to chord members with either 5/8-inch- or 1-inch-diameter (15.9 mm or 25.4 mm) solid-steel headed pins. The pins are held in place by spring-clip washers placed on the end of the pins.

**3.6 Red-H Open-Web Truss:**

Chords are double nominal 2-by-6 MSR lumber or 1.5-inch-by-5.5-inch (38 mm by 140 mm) LVL positioned edgewise. Web members are round steel tubing connected to the chord members with either 3/4-inch- or 1 1/4-inch-diameter (19.1 mm or 31.8 mm) solid-steel headed pins. The pins are held in place by spring-clip washers placed on the end of the pins.

**3.7 Materials:**

**3.7.1 Chords:** Chords consist of either Redlam LVL, MSR lumber, or TimberStrand LSL. Redlam LVL is recognized in the approved quality control manual. TimberStrand LSL is recognized in [ESR-1387](#). MSR lumber is graded as either 2100F-1.8E, 2400F-2.0E, or 2700F-2.2E in accordance with grading rules specified in the approved quality control manual.

Chords having glued finger joints are manufactured and tension-tested in accordance with the approved quality control manual, to form continuous chord members.

**3.7.2 Webs:** Steel tubing is cold formed from coil stock specified in the approved quality control documentation. The electrically welded steel tubing ends are stamped flat, and have punched holes for the pin connectors. Each web member gage is identified as specified in the RedBuilt Open-Web truss quality control manual.

**3.7.3 Pin Connectors:** The steel pin connectors are of the dimensions and materials as specified in the approved RedBuilt Open-Web truss quality control manual.

**3.7.4 Bearing Clips:** Bearing clips have configurations specific to each Open-Web truss series and are fabricated from either ASTM A36 or ASTM A653 steel, as specified in the manufacturing standard. See Figure 3 for details.

**3.7.5 Tension Connector:** The tension connector is a variable-density LVL component used at splice locations of the truss tension chords. The tension connector has both nondensified and densified sections. The nondensified section is finger-jointed to sawn lumber tension chord members, and the densified section is spliced with steel plates on both sides of the connector with the number of bolts required by design. See Figure 2 for details.

**4.0 DESIGN AND INSTALLATION**

**4.1 General:**

The design and installation of the Open-Web trusses described in this report must comply with Sections 4.1 through 4.15 of this report and must be governed by the applicable code, the ANSI/AWC *National Design Specification® for Wood Construction* (NDS) and accepted truss design principles.

**4.2 Chord Members:**

Table 1 provides chord section properties and Table 2 provides allowable chord stresses. The top chords of the Open-Web trusses are designed as continuous members subject to combined axial and bending stresses. The bottom chords are designed as axially loaded tension members, provided ceilings that are directly applied to the chords, or stripping are spaced not more than 24 inches (610 mm) on center, and do not weigh more than 5 psf (0.24 kN/m<sup>2</sup>). For other conditions, the bottom chords are designed as continuous members subject to combined axial tension and bending stresses.

**4.3 Web Members:**

Table 3 provides maximum allowable axial tension and compression loads for web members, including bearing on the steel pins. The allowable load values for web members in compression must be further limited when long column buckling controls, as determined by analysis in accordance with AISI S100.

**4.4 Pin Connectors:**

Table 4 provides allowable loads for pin connectors bearing on chord members. The allowable load for the resultant parallel and perpendicular pin loading on the chord member must be determined using the Hankinson formula in accordance with the applicable code.

**4.5 Bearing Assemblies:**

Tables 5 and 6 provide allowable reactions at supports with bearing clips. See Figure 3.

**4.6 Duration of Load:**

Increases for duration of load, as provided for wood members and their connections, shall be in accordance with the limitations specified in the applicable code and as set forth in this report, unless specifically prohibited by this report.

**4.7 Repetitive Member Use:**

When Open-Web truss installation complies with repetitive-member use in accordance with Part 4.3.9 of the NDS, the allowable parallel-to-grain tension and compression chord stresses noted in Table 2 and the allowable pin bearing loads on chord members noted in Table 4 may be increased by 7 percent for sawn lumber and by 4 percent for Redlam LVL or TimberStrand LSL chords.

**4.8 Deflection:**

For uniformly loaded simple-span applications, the maximum deflection, in inches (mm), is calculated as follows:

$$\Delta = \frac{22.5WL^4}{EI}$$

For SI:  $\Delta = \frac{1.3021 \cdot 10^7 WL^4}{EI}$

where:

*EI* = Truss stiffness in the table below (lb.-in.<sup>2</sup>, kN-mm<sup>2</sup>),

OPEN-WEB TRUSS SERIES	CHORD DEPTH in. (mm)	<i>EI</i> lb.-in. <sup>2</sup> (kN-mm <sup>2</sup> )
Red-L	1.5 (38.1)	5.00 × 10 <sup>6</sup> d <sup>2</sup> (22.24x10 <sup>3</sup> d <sup>2</sup> )
Red-LX	1.5 (38.1)	5.26 × 10 <sup>6</sup> d <sup>2</sup> (23.40x10 <sup>3</sup> d <sup>2</sup> )
Red-W	1.5 (38.1)	6.78 × 10 <sup>6</sup> d <sup>2</sup> (30.16x10 <sup>3</sup> d <sup>2</sup> )
Red-S	2.3 (58.4)	6.94 × 10 <sup>6</sup> d <sup>2</sup> (30.87x10 <sup>3</sup> d <sup>2</sup> )
Red-M	3.5 (88.9)	10.06 × 10 <sup>6</sup> d <sup>2</sup> (44.75x10 <sup>3</sup> d <sup>2</sup> )
Red-H	5.5 (139.7)	15.93 × 10 <sup>6</sup> d <sup>2</sup> (70.86x10 <sup>3</sup> d <sup>2</sup> )

For SI: 1 lb.-in.<sup>2</sup> = 2870 N-mm<sup>2</sup>, 1 in = 25.4 mm.

*d* = Average depth of the truss minus the chord depth in the table above (pin-to-pin depth of the truss) (inches, mm),

*W* = Uniform load (plf, kN/m), and

*L* = Clear span (feet, m).

**4.9 Tension Connector:**

The variable-density LVL tension-connector design parameters are as follows:

Bolt bearing in wood: 6,800 psi (46.88 MPa).

Tension in densified net area: 2,700 psi (18.62 MPa).

Tension in nondensified area: 1,970 psi (13.58 MPa).

The bolt end distance (*e*), measured from the center of the bolt to the end of the member, must not be less than 4*d* or *e<sub>min</sub>*, whichever is greater, where;

*d* = Diameter of bolt (inches).

*e<sub>min</sub>* =  $P \div (1,200t)$

*P* = Load per bolt (pounds).

*t* = Thickness of connector, measured along the bolt (inches).

Steel side plates and bolts must be designed in accordance with the code.

**4.10 Lateral Support:**

Each Open-Web truss compression chord member, including each member of double member chords, requires lateral support at least every 24 inches (610 mm). Each connection must be capable of transmitting a minimum allowable lateral load of 75 pounds (334 N). Table 7 provides lateral restraint requirements for Open-Web truss compression chord members.

#### 4.11 Metal Strap or Tension-tie Capacity:

The allowable capacities for metal straps or tension-ties, recognized in a current ICC-ES evaluation report, when connected to structural composite lumber chord members or minimum 1.5 inch by 3.5 inch structural composite lumber nailer plates of Open-Web trusses, in conformance with Figure 6 of this report, may be calculated using an allowable stress design capacity of 112 pounds (498 N) per nail.

For sawn lumber chord members, capacities must be calculated using the NDS and the metal strap or tension-tie manufacturer's requirements must be followed.

#### 4.12 One-hour Fire-resistance-rated Roof-ceiling or Floor-ceiling Assemblies:

Details for one-hour fire-resistance-rated roof-ceiling or floor-ceiling assemblies are shown in Figure 4. For assemblies A, B, C, D, and E used as floor-ceiling assemblies over crawl spaces, the ceiling membrane may be omitted over the unusable crawl space. Additionally, flooring may be omitted where unusable attic space occurs above, provided the lateral support requirements of Section 4.10 are met.

##### 4.12.1 Assembly A:

1. A double wood floor consisting of a subfloor of nominal 1-inch-thick (25.4 mm) tongue-and-groove sheathing or 32/16 span-rated, wood-based, structural-use sheathing (Exposure 1); and a second layer of nominal 1-inch-thick (25.4 mm), tongue-and-groove finish sawn lumber flooring. Alternatively, the finish flooring may be 40/20 span-rated wood-based structural-use sheathing (Exposure 1).

All butt joints of the sheathing must be located over framing members.

When use is as a roof-ceiling assembly, a single layer of square-edge span-rated wood-based structural-use sheathing (Exposure 1) is permitted to be used for roof sheathing. Sheathing must comply with the code.

2. Open-Web trusses must be installed in accordance with this report, at a maximum spacing of 48 inches (1219 mm) on center.
3. A suspended ceiling consists of  $\frac{5}{8}$ -inch-thick (15.9 mm), 2-foot-by-2-foot (610 mm by 610 mm) or 2-foot-by-4-foot (610 mm by 1219 mm), USG FIRECODE AURATONE lay-in acoustical board supported by an approved, fire-resistance-rated suspension system, attached to the bottom chord or to cold-rolled steel channels spaced not more than 48 inches (1219 mm) on center. Connection and anchorage of the suspended ceiling to the trusses must comply with Section 808 of the IBC and, when applicable, Section 13.5.6 of ASCE 7. When Open-Web trusses are spaced more than 24 inches (610 mm) on center, framing perpendicular to the trusses must be installed at 24 inches (610 mm) on center to support the ceiling. The distance from the bottom of the Open-Web truss to the suspended ceiling must be a minimum of 10 inches (254 mm).
4. Installed over the acoustical board are minimum 1-inch-thick (25.4 mm), 4 pcf (64 kg/m<sup>3</sup>), Thermafiber® Sound Attenuation Fire Blanket, Fibrex®-FBX 1240 Industrial Boards, Fibrex®-IF 1240 Flex Batts, IIG MinWool®-1240 Industrial Board, or IIG MinWool®-1240 Flexible Batt.
5. Light fixtures having a maximum size of 2 feet by 4 feet (610 mm by 1219 mm) are permitted to be

installed in the ceiling, provided the aggregate area of fixtures does not exceed 12 square feet per 100 square feet (1.1 m<sup>2</sup> per 9.3 m<sup>2</sup>) of ceiling area and the fixtures are protected as follows [using, for illustration, a 2-foot-by-4-foot (610 mm by 1219 mm) fixture]: A 2 $\frac{1}{4}$ -inch-by-48 inch (57 mm by 1219 mm), minimum 1 $\frac{1}{4}$ -inch-thick (31.8 mm) piece of minimum 4 pcf (64 kg/m<sup>3</sup>) Thermafiber rigid mineral fiber board or Fibrex-FBX 1240 Industrial Board or Fibrex-IF 1240 Flex Batt light fixture protection is laid along the long sides of the fixture, and against adjacent suspension members; two pieces of the same insulation, measuring 19 $\frac{1}{2}$  inches by 48 inches (495 mm by 1219 mm), are laid over the top of the fixture and a 4 $\frac{1}{2}$ -inch-by-24-inch (114 mm by 610 mm) piece of the same insulation is laid at each end and tied at the corners of the fixture, to the top pieces, using No. 18 SWG steel wire. See Figure 1 for details. In addition, ceiling openings for air diffusers, up to a maximum of 12 inches (305 mm) in diameter, are permitted, provided openings are protected with approved fire dampers and the aggregate areas do not exceed 113 square inches (72 900 mm<sup>2</sup>) per 100 square feet (9.3 m<sup>2</sup>) of ceiling area.

##### 4.12.2 Assembly B:

1. The flooring must consist of a single layer of 48/24 span-rated, tongue-and-groove, wood-based structural-use sheathing (Exposure 1). When use is as a roof-ceiling assembly, the roof sheathing may be any wood sheathing material permitted by the code. All butt joints of the sheathing must be located over framing members.
2. Open-Web trusses must be installed in accordance with this report, with a maximum spacing of 24 inches (610 mm) on center for floor-ceiling assemblies. When used in roof-ceiling assemblies, the trusses may be spaced a maximum of 48 inches (1219 mm) on center.
3. Optional minimum 3 $\frac{1}{2}$ -inch-thick (89 mm) glass fiber insulation, rated R-30 or less, may be installed in the truss plenum when resilient channels are used. The insulation must be placed above the resilient channels between the truss bottom chords.
4. The ceiling membrane must consist of two layers of  $\frac{1}{2}$ -inch-thick (12.7 mm), Type X gypsum board complying with ASTM C36 or ASTM C1396, attached to the truss bottom chord.

The first layer of gypsum board must be installed perpendicular to truss and attached using 1 $\frac{3}{8}$ -inch-long (41.3 mm), Type S screws spaced 12 inches (305 mm) on center. The second layer must be installed with the joints staggered from the first layer, and fastened to the trusses with 2-inch-long (51 mm), Type S screws spaced 12 inches (305 mm) on center in the field and 8 inches (203 mm) on center at the butt joints.

Type G screws, 1 $\frac{1}{2}$  inches (38 mm) long, must be spaced 8 inches (203 mm) on center and 6 inches (152 mm) from each side of the butt joints of the second layer. The second layer must be finished with joint tape and compound.

5. Resilient channels may be used as part of the ceiling attachment system, provided they are spaced 16 inches (406 mm) on center [24 inches (610 mm) on center if the trusses are spaced 16 inches (406 mm) on center] and fastened perpendicular to the trusses using

1-inch-long (25.4 mm), Type S screws. The first layer of the ceiling membrane must be installed perpendicular to the channels and attached to the resilient channels using 1-inch-long (25.4 mm), Type S screws spaced 12 inches (305 mm) on center. The second layer must be installed with the joints staggered from the first layer and must be attached using 1<sup>5</sup>/<sub>8</sub>-inch-long (41.3 mm), Type S screws. The screw spacing for the second layer of gypsum board must not exceed 12 inches (305 mm) on center in the field and 8 inches (203 mm) on center at the butt joints.

Type G screws, 1<sup>1</sup>/<sub>2</sub> inches (38 mm) long, must be spaced 8 inches (203 mm) on center and 6 inches (152 mm) from each side of the transverse joints of the second layer. The second layer must be finished with joint tape and compound.

In roof-ceiling assemblies in which the Open-Web trusses are spaced more than 24 inches (610 mm) on center, the ceiling, including the resilient channels, must be applied to stripping spaced 24 inches (610 mm) on center. The attachment of the ceiling membrane to the stripping members must be similar to the attachment of the ceiling membrane to the trusses. The stripping must be a minimum of nominal 2-by-4 construction-grade Douglas fir lumber for spans up to 5 feet (1524 mm), and must be attached to the bottom chord using a minimum of two 10d box nails. Stripping materials of equivalent strength and attachment are permitted when specifically approved by the code official.

#### 4.12.3 Assembly C:

1. The flooring must consist of a single layer of 48/24 span-rated, tongue-and-groove, wood-based, structural-use sheathing (Exposure 1). When use is as a roof-ceiling assembly, a single layer of square-edge, span-rated, wood-based structural-use sheathing (Exposure 1), complying with the code, is permitted to be used for roof sheathing. All butt joints of the sheathing must be located over framing members.
2. Open-Web trusses must be installed in accordance with this report, with a maximum spacing of 24 inches (610 mm) on center for floor-ceiling assemblies. When used in roof-ceiling assemblies the trusses may be spaced a maximum of 48 inches (1219 mm) on center. When the truss spacing exceeds 24 inches (610 mm) on center, framing perpendicular to the trusses must be installed at 24 inches (610 mm) on center to support the ceiling.
3. The ceiling membrane must be installed perpendicular to the framing members and consist of a single layer of 1/2-inch-thick (12.7 mm), Type X gypsum board complying with ASTM C36 or ASTM C1396, attached to the trusses, or to stripping spaced 24 inches (610 mm) on center. The gypsum board must be fastened using 1<sup>5</sup>/<sub>8</sub>-inch-long (41.3 mm), Type S screws located 6 inches (152 mm) on center at end joints and 8 inches (203 mm) on center in the field.
4. An approved, exposed fire-resistance-rated, suspended-ceiling system must be installed beneath the gypsum board ceiling membrane. The minimum distance between the suspended ceiling and the gypsum board ceiling membrane must be 12 inches (305 mm). Connection and anchorage of the suspended ceiling to the trusses must comply with Section 808 of the IBC and, when applicable, Section 13.5.6 of ASCE 7. The grid system must be suspended with No. 12 SWG galvanized steel wire fastened to the

stripping or trusses using 3-inch-long (76 mm) flathead hanger screws. Light fixture protection must consist of 6-inch-wide (152 mm) pieces of ceiling grid panels that are 48 inches (1219 mm) long for the sides, and 24 inches (610 mm) long for the ends, with a full grid panel placed on top.

A galvanized steel duct is permitted for each 200 square feet (18.6 m<sup>2</sup>) of ceiling, provided the duct has a maximum 12-inch-diameter (305 mm) steel diffuser opening without a damper, and a maximum 6-inch-by-12-inch (152 mm by 305 mm) return air opening. Ceiling panels must be 5/8-inch-thick (15.9 mm) USG FIRECODE AURATONE. Glass fiber insulation that is rated R-30 or less is permitted to be installed above the gypsum board, in the cavity between the trusses.

#### 4.12.4 Assembly D:

1. The flooring must consist of a single layer of 48/24 span rated, tongue-and-groove, wood-based, structural-use sheathing (Exposure 1). When use is as a roof-ceiling assembly, a single layer of square-edge, span-rated, wood-based, structural-use sheathing (Exposure 1), complying with the code, is permitted to be used for roof sheathing. All butt joints of the sheathing must be located over framing members.
2. The Open-Web trusses must be installed in accordance with this report, with a maximum spacing of 24 inches (610 mm) on center.
3. The ceiling membrane must consist of a single layer of 1/2-inch-thick (12.7 mm) USG FIRECODE® Type C gypsum board or ProRoc® Type C gypsum board screw-attached to steel furring channels placed perpendicular to the trusses. The gypsum board side joints must be offset 8 inches (203 mm) from the truss centerlines and fastened to the furring channels with 1-inch-long (25.4 mm) Type S screws located at 3/4 inch and 6 inches (19 mm and 152 mm) from each gypsum board side joint and spaced at 12 inches (305 mm) in the field. The furring channels must be spaced 24 inches (610 mm) on center and must be attached and suspended from the trusses using 24 gage Simpson Strong-Tie CSC Support Clips. A CSC support clip must be located at each truss to support the furring channel. At channel splices, adjacent pieces are overlapped a minimum of 6 inches (152 mm), and are tied with double-strand No. 18 SWG galvanized steel wire at each end of the overlap.
4. A layer of 1-inch-thick (25.4 mm), minimum 6 pcf (96 kg/m<sup>3</sup>), Thermafiber Type CW 90 mineral-wool blanket, Fibrex-FBX 1280 Industrial Board, Fibrex-IF 1280 Flex Batt, IIG MinWool 1260 Industrial Board or IIG MinWool 1260 Flexible Batt, must be placed below the bottom chords of the trusses and on top of the furring channels. Alternatively, a layer of 2-inch-thick (51 mm), Thermafiber mineral-wool blanket, having a density of 8 pcf (128 kg/m<sup>3</sup>), may be used.

#### 4.12.5 Assembly E:

1. The flooring must consist of a double wood floor as described in Section 4.12.1 (Assembly A), or a single layer of 48/24 span-rated, tongue-and-groove, wood-based, structural-use sheathing (Exposure 1). When a single-layer floor is used, a construction adhesive conforming to ASTM D3498 must be applied to the top of the trusses prior to placing sheathing. When trusses are used in a roof-ceiling assembly, a single layer of square-edge, span-rated, wood-based, structural-use

sheathing (Exposure 1), complying with the code, is permitted to be used for roof sheathing. All butt joints of the sheathing must be located over framing members.

- Open-Web trusses must be installed in accordance with this report, with a maximum spacing of 24 inches (610 mm) on center for floor-ceiling assemblies, and a maximum spacing of 48 inches (1219 mm) on center for roof-ceiling assemblies. When the flooring consists of a double wood floor as described in Section 4.12.1 (Assembly A), the trusses may be spaced a maximum of 48 inches (1219 mm) on center.

When the trusses are spaced more than 24 inches (610 mm) on center, the ceiling, including the resilient channels, must be applied to stripping spaced 24 inches (610 mm) on center. The attachment of the ceiling membrane to the stripping must be similar to the attachment of the ceiling membrane to the trusses. The stripping must be nominal 2-by-4 construction-grade Douglas fir lumber for spans up to 5 feet (1524 mm), and must be attached to the truss bottom chord using a minimum of two 10d box nails. Stripping materials of equivalent strength and attachment are permitted when specifically approved by the code official.

- An approved ceiling membrane having a minimum 40-minute finish rating, as determined in accordance with Section 8.10 Sections 45 through 49 of ASTM E119, must be used, such as two layers of  $\frac{1}{2}$ -inch-thick (12.7 mm), Type X gypsum board complying with ASTM C36 or ASTM C1396, a minimum of 4 feet (1219 mm) wide, installed perpendicular to the trusses, as described in Section 4.12.2 (Assembly B). Substantiating data, including a report of the fire-endurance testing conducted in accordance with ASTM E119 must be furnished to the local code official, and must verify that the specified ceiling system meets the 40-minute finish rating requirements.

#### 4.13 Assembly G: Two-hour Fire-resistance-rated Roof-ceiling or Floor-ceiling Assembly:

See Figure 5 for details. When use is as a floor-ceiling assembly over crawl spaces, the ceiling membrane is permitted to be omitted over the unusable crawl space. Additionally, flooring is permitted to be omitted where unusable attic space occurs above the following system, provided the requirements of Section 4.10 are met.

- The floor sheathing must consist of a single layer of 48/24 span-rated, tongue-and-groove, wood-based, structural-use sheathing (Exposure 1). All butt joints of the floor or roof sheathing must be located over framing members.

When Open-Web trusses are used in a roof-ceiling assembly, a single layer of square-edge, span-rated, wood-based, structural-use sheathing (Exposure 1), complying with the code, may be used as roof sheathing.

- Open-Web trusses must be installed in accordance with this report, with a maximum spacing of 24 inches (610 mm) on center. Minimum truss depth is 14 inches (356 mm).
- (Optional.) When insulation is used, it must consist of glass-fiber insulation with unfaced batts that are 24 inches (610 mm) wide by 48 inches (1219 mm) long by  $3\frac{1}{2}$  inches (89 mm) thick. The insulation must be placed in the plenum and supported by stay wires spaced at 12 inches (305 mm) along the truss bottom chord.

- The ceiling membrane must consist of three layers of  $\frac{5}{8}$ -inch-thick (15.9 mm) Gold Bond Fire-Shield C, Type X, gypsum board. The base layer must be applied perpendicular to the trusses, with end joints staggered, and must be attached directly to the bottom chords using  $1\frac{5}{8}$ -inch-long (41.3 mm), Type S screws spaced 12 inches (305 mm) on center along each truss. Resilient steel channels, minimum No. 28 gage [0.016 inch (0.41 mm)], must be applied under the first layer of gypsum board, perpendicular to the trusses and spaced a maximum of 16 inches (406 mm) on center. The channels must be attached to the bottom chord of each truss with  $1\frac{5}{8}$ -inch-long (41.3 mm), Type S screws. The middle layer of gypsum board must be installed perpendicular to the resilient channels, with end joints staggered, and attached to the resilient channels with 1-inch-long (25.4 mm), Type S screws spaced 12 inches (305 mm) on center. The finish layer of gypsum board must be installed with edges and end joints staggered from the middle layer, and must be fastened to the resilient channels using  $1\frac{5}{8}$ -inch-long (41.3 mm), Type S screws spaced 8 inches (203 mm) on center. Joints of the finish layer of gypsum board must be covered with joint compound and paper tape, and exposed screw heads must be covered with joint compound.

#### 4.14 Alternate Floor or Roof Deck Systems for Fire-resistance-rated Assemblies:

An alternate floor or roof deck to Assemblies A, B, C, D, and E, described in Sections 4.12.1 through 4.12.5, respectively, and to the two-hour assembly described in Section 4.13, consists of minimum 48/24 span-rated, wood-based, structural-use sheathing (Exposure 1) over Open-Web trusses spaced a maximum of 24 inches (610 mm) on center, with either  $1\frac{1}{2}$ -inch-thick (38 mm) lightweight concrete or  $\frac{3}{4}$ -inch-thick (19.1 mm) gypsum concrete over the sheathing. When the trusses are limited to a maximum spacing of 20 inches (508 mm) on center, a minimum 40/20 span-rated, wood-based, structural-use sheathing may be used. The gypsum concrete must be recognized in a current ICC-ES evaluation report, and the report must include an evaluation for fire resistance that permits the replacement of the floor systems with the sheathing and gypsum-concrete system.

#### 4.15 Sound Ratings:

**4.15.1 Assembly B, Option 1, STC = 50:** Assembly B (described in Section 4.12.2 and shown in Figure 4) has a minimum sound transmission class (STC) rating of 50 when constructed with resilient channels spaced at 16 inches (406 mm) on center to separate the ceiling membrane from the structural framing. This assembly has the following minimum impact insulation class (IIC) ratings when constructed with the corresponding additional materials described below.

- IIC rating of 60: The floor covering must include a 40-ounce-per-square-yard (1.36 kg/m<sup>2</sup>) pad and a 56-ounce-per-square-yard (1.90 kg/m<sup>2</sup>) carpet.
- IIC rating of 51: The floor covering must consist of Tarkett Acoustiflor sheet vinyl, the ceiling must consist of two layers of  $\frac{5}{8}$ -inch-thick (15.9 mm), Type X gypsum board, and the bottom of the floor cavity must contain  $3\frac{1}{2}$ -inch-thick (89 mm) glass-fiber insulation.
- IIC rating of 45: The floor covering must include a 43.2-ounce-per-square-yard (1.47/kg/m<sup>2</sup>), minimum 0.123-inch-thick (3.1 mm) cushioned vinyl.

**4.15.2 Assembly B, Option 2, STC = 58:** Assembly B (described in Section 4.12.2 and shown in Figure 4) has a

minimum STC rating of 58 when constructed with resilient channels spaced at 16 inches (406 mm) on center to separate the ceiling membrane from the structural framing, and with a <sup>3</sup>/<sub>4</sub>-inch-thick (19.1 mm) floor topping of gypsum concrete recognized in a current evaluation report. This assembly has the following IIC ratings when constructed with the additional materials described below.

1. IIC rating of 54: The floor covering must include a 40-ounce-per-square-yard (1.36 kg/m<sup>2</sup>) pad and a 56-ounce-per-square-yard (1.90 kg/m<sup>2</sup>) carpet.
2. IIC rating of 54: The floor covering must consist of Tarkett Acoustiflor sheet vinyl, the ceiling must consist of two layers of <sup>5</sup>/<sub>8</sub>-inch-thick (15.9 mm) Type X gypsum board, and the bottom of the floor cavity must contain 3<sup>1</sup>/<sub>2</sub>-inch-thick (89 mm) glass fiber insulation.
3. IIC rating of 50: The floor covering must be either Armstrong VIOS or Armstrong Cambray sheet vinyl, the ceiling must consist of two layers of <sup>5</sup>/<sub>8</sub>-inch-thick (15.9 mm), Type X gypsum board, and the bottom of the floor cavity must contain 3<sup>1</sup>/<sub>2</sub>-inch-thick (89 mm) glass fiber insulation.

**4.15.3 Assembly D, Option 1, STC = 47, IIC = 54:** Assembly D (described in Section 4.12.4 and shown in Figure 4) has an STC rating of 47. This assembly has an IIC rating of 54 when the floor covering includes a 40-ounce-per-square-yard (1.36 kg/m<sup>2</sup>) pad and a 56-ounce-per-square-yard (1.90 kg/m<sup>2</sup>) carpet.

**4.15.4 Assembly D, Option 2, STC = 59, IIC = 54:** Assembly D (described in Section 4.12.4 and shown in Figure 4) has an STC rating of 59 when the assembly is constructed with a <sup>3</sup>/<sub>4</sub>-inch-thick (19.1 mm) topping of gypsum concrete recognized in a current evaluation report. This assembly has an IIC rating of 54 when the floor covering includes a 40-ounce-per-square-yard (1.36 kg/m<sup>2</sup>) pad and a 58-ounce-per-square-yard (1.90 kg/m<sup>2</sup>) carpet.

## 5.0 CONDITIONS OF USE

The Open-Web trussed described in this report comply with, or are suitable alternatives to what is specified in, those codes listed in Section 1.0 of this report, subject to the following conditions:

- 5.1 Drawings and design details verifying compliance with this report must be submitted to the code official for

approval. The design must be prepared by a registered design professional where required by the statutes of the jurisdiction in which the project is to be constructed.

- 5.2 Installation instructions, truss design drawings, and truss placement diagrams must accompany the product to the final jobsite, including weather protection, handling, lateral support, and other attachment and framing details as required.
- 5.3 No cutting of Open-Web truss chords is permitted.
- 5.4 Sound-rated assemblies noted in Sections 4.15.1 and 4.15.2 and Figure 4 of this report, with STC and IIC ratings less than 50, are only applicable in jurisdictions using the IRC.
- 5.5 Open-Web trusses are produced at the RedBuilt plants located in Chino, California; Hillsboro, Oregon; and Delaware, Ohio; under a quality control program with inspections by ICC-ES.

## 6.0 EVIDENCE SUBMITTED

- 6.1 Manufacturer's installation instructions.
- 6.2 Data in accordance with the ICC-ES Acceptance Criteria for Pin-connected Open-web Trusses with Wood Chords and Tubular Steel Webs (AC306), dated April 2019.
- 6.3 Reports of fire tests in accordance with ASTM E119.
- 6.4 Reports of sound transmission tests in accordance with ASTM E90, E413, and E492.

## 7.0 IDENTIFICATION

- 7.1 Open-Web Trusses are identified by a stamp indicating the product designation, evaluation report number (ESR-1774), manufacturer's name (RedBuilt™ LLC) or logo (see Figure 7), plant number, and production date.
- 7.2 The report holder's contact information is the following:

**REDBUILT™ LLC**  
**200 EAST MALLARD DRIVE**  
**BOISE, IDAHO 83706**  
**(866) 859-6757**  
[www.redbuilt.com](http://www.redbuilt.com)

TABLE 1—CHORD SECTION PROPERTIES AT PIN LOCATION OF OPEN-WEB TRUSSES

NOMINAL MEMBER SIZE (inches)	NET DIMENSIONS AT 19 PERCENT MOISTURE (inches)	PIN DIAMETER (inches)	NET AREA COMPRESSION (square inches)	NET AREA TENSION (square inches)	SECTION MODULUS (cubic inches)
Red-L					
One 2x4	1 1/2 x 3 1/2	3/8	4.87 <sup>1</sup>	3.66 <sup>1</sup>	1.20
One 2x4	1 1/2 x 3 1/2	5/8	3.38 <sup>1</sup>	2.73 <sup>1</sup>	1.09
Red-W					
One 2x5	1 1/2 x 4 3/4	3/8	5.06 <sup>1</sup>	5.06 <sup>1</sup>	1.67
One 2x5	1 1/2 x 4 3/4	5/8	3.83 <sup>1</sup>	3.83 <sup>1</sup>	1.56
Red-S					
2 members	1 1/2 x 2.30	1/2	5.40	5.40	2.62
2 members	1 1/2 x 2.30	3/4	4.65	4.65	2.56
Red-M					
Two 2x4	1 1/2 x 3 1/2	5/8	10.50	8.62	6.09
Two 2x4	1 1/2 x 3 1/2	1	10.50	7.50	5.98
Red-H					
Two 2x6	1 1/2 x 5 1/2	3/4	16.50	14.25	15.09
Two 2x6	1 1/2 x 5 1/2	1 1/4	16.50	12.75	14.95

For SI: 1 inch = 25.4 mm, 1 square inch = 645mm<sup>2</sup>, 1 cubic inch = 16 387 mm<sup>3</sup>.

<sup>1</sup>The net area stated in the table for Red-L and Red-W trusses assumes a rout width large enough to accommodate two web members. When bridging clips are to be accommodated, the net area in compression or tension must be reduced to account for the bridging clip thickness.

TABLE 2—ALLOWABLE CHORD STRESSES (psi)

CHORD MATERIAL	TRUSS PROFILE <sup>2</sup>	TENSION Red-L			TENSION Red-H, Red-M, Red-S		TENSION Red-W			COMPRESSION PARALLEL TO GRAIN, Red-L, Red-H, Red-M, Red-S		COMPRESSION PARALLEL TO GRAIN, Red-W			EXTREME FIBER IN BENDING	MOE x 10 <sup>6</sup>
		At PP <sup>1</sup>		Other	At PP <sup>1</sup>	Other	At PP <sup>1</sup>		Other	At PP <sup>1</sup>	Other	At PP <sup>1</sup>		Other		
		3/8" Pin	5/8" Pin				3/8" Pin	5/8" Pin				3/8" Pin	5/8" Pin			
Redlam LVL	All Profiles	2300 <sup>3</sup>	2300 <sup>3</sup>	2100	2300 <sup>3</sup>	2100	NA	NA	NA	3000	2550	NA	NA	NA	3000 <sup>4,6</sup>	2.06
2100f 1.8E <sup>5</sup>	Par & T P	1945 1850	1860 1765	1575 1575	1600 1600	1460 1460	1850 1760	1765 1675	1575 1575	1700 1700	1700 1700	2100 2100	1940 1940	1700 1700	2100 <sup>6</sup> 2100 <sup>6</sup>	1.8
2400f 2.0E <sup>5</sup>	Par & T P	2250 2140	2150 2045	1925 1925	1925 1925	1650 1650	2140 2035	2040 1940	1925 1925	1925 1925	1925 1925	2430 2430	2245 2245	1925 1925	2400 <sup>6</sup> 2400 <sup>6</sup>	2.0
2700f 2.2E <sup>5</sup>	Par & T P	2550 2425	2440 2320	2150 2150	2200 2200	1900 1900	2425 2305	2315 2200	2150 2150	2500 2500	2500 2500	2760 2760	2550 2550	2200 2200	2700 <sup>6</sup> 2700 <sup>6</sup>	2.2
Timber-Strand LSL	All Profiles	1610	1610	1610	NA	NA	1610	1610	1610	2090 <sup>7</sup>	2090 <sup>7</sup>	2090	2090	2090	2620 <sup>8</sup>	1.55
		2050	2050	2050	NA	NA	2050	2050	2050	2580 <sup>7</sup>	2580 <sup>7</sup>	2580	2580	2580	2910 <sup>8</sup>	1.7

For SI: 1 inch = 25.4 mm, 1 psi = 0.00689 MPa.

<sup>1</sup>Allowable chord stress at PP (panel points) must be used at drilled areas.

<sup>2</sup>Par = parallel profile; T = tapered profile; P = pitched profile.

<sup>3</sup>For panel point spacing less than 24 inches on center, tension stress must be reduced to 2100 psi.

<sup>4</sup>3000 psi is established for a 12-inch-deep member. When used on edge values for other depths, must be adjusted by multiplying by (12/d)<sup>0.136</sup>.

<sup>5</sup>Species used are Douglas fir-larch, southern pine, hem-fir, spruce-pine-fir, and Engelmann spruce-lodgepole pine.

<sup>6</sup>Stress shown is for chord material used on edge. When loaded flatwise, F<sub>b</sub> may be increased 18 percent

<sup>7</sup>Red-L only.

<sup>8</sup>Value shown is for thicknesses up to 3 1/2 inches.

**TABLE 3—ALLOWABLE LOAD ON WEB MEMBERS (pounds)<sup>1</sup>**

TUBE DIAMETER (inches)	GAGE	DESIGN WALL THICKNESS (inch)	LOAD CONDITION	OPEN-WEB TRUSS SERIES									
				Red-L		Red-W		Red-S		Red-M		Red-H	
				3/8" Dia. Pin	5/8" Dia. Pin	3/8" Dia. Pin	5/8" Dia. Pin	1/2" Dia. Pin	3/4" Dia. Pin	5/8" Dia. Pin	1" Dia. Pin	3/4" Dia. Pin	1 1/4" Dia. Pin
1.0	19	0.040	Tension Bearing <sup>2</sup>	1440 1440	1420 2250	1440 1440	1420 2250	1920 1920	—	—	—	—	—
1.0	18	0.047	Tension Bearing <sup>2</sup>	1740 1740	1490 2260	1740 1740	1490 2260	—	—	—	—	—	—
1.0	16	0.063	Tension Bearing <sup>2</sup>	2410 2410	2190 3930	2410 2410	2190 3930	—	—	—	—	—	—
1.0	14	0.082	Tension Bearing <sup>2</sup>	—	3290 5480	—	3290 5480	—	—	—	—	—	—
1 1/8	16	0.063	Tension Bearing <sup>2</sup>	2410 2410	2240 3500	2410 2410	2240 3500	—	—	4020 4020	—	—	—
1 1/8	14	0.082	Tension Bearing <sup>2</sup>	—	3520 5200	—	3520 5200	—	—	—	—	—	—
1 1/8	13	0.095	Tension Bearing <sup>2</sup>	—	3660 6430	—	3660 6430	—	—	—	—	—	—
1 1/4	19	0.040	Tension Bearing <sup>2</sup>	—	—	—	—	1920 1920	1720 2460	—	—	—	—
1 1/4	16	0.063	Tension Bearing <sup>2</sup>	—	—	—	—	3220 3220	3410 4570	—	—	—	—
1 1/2	16	0.063	Tension Bearing <sup>2</sup>	—	—	—	—	3220 3220	4600 4820	4020 4020	4160 4670	4820 4820	—
1 1/2	14	0.082	Tension Bearing <sup>2</sup>	—	—	—	—	4380 4380	5980 6570	—	5470 7670	—	—
1 1/2	13	0.095	Tension Bearing <sup>2</sup>	—	—	—	—	—	—	—	6820 9650	—	—
2.0	16	0.063	Tension Bearing <sup>2</sup>	—	—	—	—	—	—	—	—	4820 4820	4560 5000
2.0	14	0.082	Tension Bearing <sup>2</sup>	—	—	—	—	—	—	—	—	6330 6330	6640 7380
2.0	13	0.095	Tension Bearing <sup>2</sup>	—	—	—	—	—	—	—	—	7820 7820	8240 9240

For SI: 1 inch = 25.4 mm, 1 lb = 4.448 N.

<sup>1</sup>Allowable load values for web members in tension and compression must be further reduced when the allowable pin bearing loads on chord members, given in Table 4, control.

<sup>2</sup>Allowable compression (bearing) load values must not exceed values for long columns, as determined by analysis in accordance with the applicable edition of AISI S100.

**TABLE 4—ALLOWABLE PIN BEARING LOADS ON CHORD MEMBERS (pounds)<sup>1</sup>**

CHORD MATERIAL	ANGLE OF LOAD TO GRAIN	OPEN-WEB TRUSS SERIES									
		Red-L		Red-W		Red-S		Red-M		Red-H	
		Pin Diameter (inches)									
		3/8	5/8	3/8	5/8	1/2	3/4	5/8	1	3/4	1 1/4
MSR <sup>2</sup>	Perpendicular	800	860	855	1075	NA	NA	970	1300	1080	1620
	Parallel <sup>3</sup>	1350	2940	1975	3990	NA	NA	2500	4800	3360	6040
Redlam LVL	Perpendicular	500	500	NA	NA	1130	1130	1560	1695	1795	2315
	Parallel <sup>3</sup>	1200	1850	NA	NA	1910	3940	2940	5620	3940	6380
1.55E TimberStrand LSL	Perpendicular	850	850	940	1200	NA	NA	NA	NA	NA	NA
	Parallel <sup>3</sup>	980	2300	1100	3120	NA	NA	NA	NA	NA	NA
1.7E TimberStrand LSL	Perpendicular	875	905	1240	1370	NA	NA	NA	NA	NA	NA
	Parallel <sup>3</sup>	1825	2940	2060	4145	NA	NA	NA	NA	NA	NA

For SI: 1 inch = 25.4 mm, 1 lb = 4.448 N.

<sup>1</sup>Values may be increased for duration of load.

<sup>2</sup>Values are for Douglas fir–larch, southern pine, hem-fir, spruce-pine-fir and Engelmann spruce-lodgepole pine (1.8E or higher).

<sup>3</sup>Parallel values are valid for end distance of 9 inches or greater for Red-L and Red-W Open-Web trusses and 12 pin diameters or greater for Red-S, Red-M and Red-H trusses.



TABLE 5—ALLOWABLE REACTIONS FOR STANDARD BEARING CLIPS

OPEN-WEB TRUSS SERIES	DETAIL <sup>1</sup>	MAX. REACTION <sup>2</sup> (lbs)	BEARING AREA <sup>3</sup> (sq. in.)
Red-L	L-1	2910	7.0
	L-2	4510	9.7
	L-3	3000	6.25
	L-5/2.25 <sup>4</sup>	3290	8.2
	L-5/3.25 <sup>4</sup>	3520 <sup>5</sup>	11.8
	L-5/4.00 <sup>4</sup>	3665 <sup>5</sup>	14.5
Red-W	L-6	4510	9.7
	W-1/3.125 <sup>4</sup>	4300	14.5
Red-S	W-2/3.125 <sup>4</sup>	4300	14.5
	S-1	5390	16.2
Red-M	S-2	5390	13.8
	M-1	4330	10.4
	M-2	7390	20.3
	M-3	8310	21.9
	M-4	7610	15.8
Red-H	M-5	6500	20.6
	H-1	9200	23.6
	H-2	9200	29.3
	H-3	12470	24.1

For SI: 1 inch = 25.4 mm, 1 square inch = 645 mm<sup>2</sup>, 1 lb = 4.448 N.

<sup>1</sup>See Figure 3 for details.

<sup>2</sup>Maximum reactions are absolute limits and must not be increased. Also see Footnote 3.

<sup>3</sup>Bearing area shown must be used to determine allowable reactions based on allowable compression perpendicular to grain of the plate.

<sup>4</sup>2.25 inches, 3.125 inches, 3.25 inches, and 4.00 inches are minimum distances from pin to end of chord.

<sup>5</sup>Where full bearing exists (no bearing error), the maximum allowable bearing reaction may be increased to 3780 pounds and 3930 pounds for the L-5/3.25 and L-5/4.00 clips, respectively.

**TABLE 6—ALLOWABLE REACTIONS FOR FLUSH-MOUNT BEARING CLIPS<sup>1,2,3</sup>**

OPEN-WEB TRUSS SERIES	BASED ON ALLOWABLE WOOD BEARING STRESS (psi)			BASED ON ALLOWABLE STEEL BEARING STRESS
	405	555	600	
	Allowable Reaction Load (lbs)			
Red-L	3125	3745	4015	5210
Red-W	3125	3745	4015	5210
Red-S	3995	4835	5220	7310
Red-M	5240	6230	6415	11505
Red-H	6620	8115	8775	12055

For **SI**: 1 lb = 4.448N, 1 psi = 0.00689 MPa.

<sup>1</sup>A maximum overhang of 1/4 inch is allowed for all flush-mount bearing clips at published design loads.

<sup>2</sup>For flush-mount bearing clip details, refer to Figure 3.

<sup>3</sup>The connection strength of the flush-mount bearing clip to the truss chord, in tension and compression, along the top chord axis to resist seismic or wind forces is as follows (the connection strength between the flush-mount bearing clip and the bearing support must be designed):

OPEN-WEB TRUSS SERIES	ALLOWABLE AXIAL TENSION OR COMPRESSION CAPACITY AT 133% DURATION OF LOAD (lbs)	
	Single Pin	Double Pin Extension
Red-L	2705	4450
Red-W	3700	6115
Red-S (with or without top chord nailer)	4320	8125
Red-M (with or without top chord nailer)	5115	10235
Red-H (with or without top chord nailer)	6325	12220

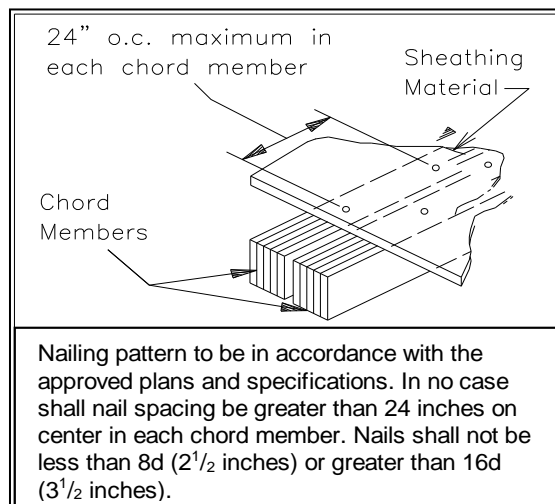
For **SI**: 1 lb = 4.448 N.

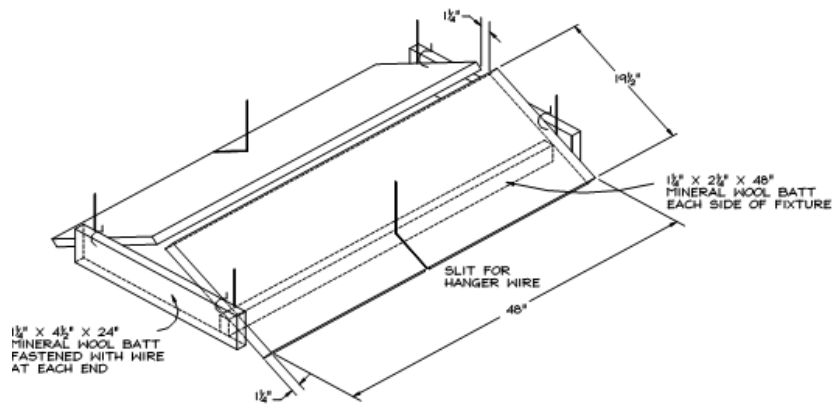
**TABLE 7—OPEN-WEB TRUSS SHEATHING NAILING PATTERN**

NAIL SIZE		WIRE DIAMETER (inches)	CLOSEST ALLOWABLE NAIL SPACING (inches)				
			Red-L and Red-W			Red-S	Red-M Red-H
			Sawn Lumber Chord	Redlam LVL Chord	TimberStrand LSL Chord		
8d (2 1/2 in.)	Box	0.113	4	2	1 1/2	4	2
	Common	0.131	6	2	1 1/2		
10d (3 in.)	Box	0.128	6	2	1 1/2	6	2
	Common	0.148	6	3	1 1/2		
12d (3 1/4 in.)	Box	0.128	6	2	1 1/2	6	2
	Common	0.148	6	3	1 1/2		
16d (3 1/2 in.)	Box	0.135	6	3	1 1/2	6	2 1/2
	Common	0.162	8	4	1 3/4		

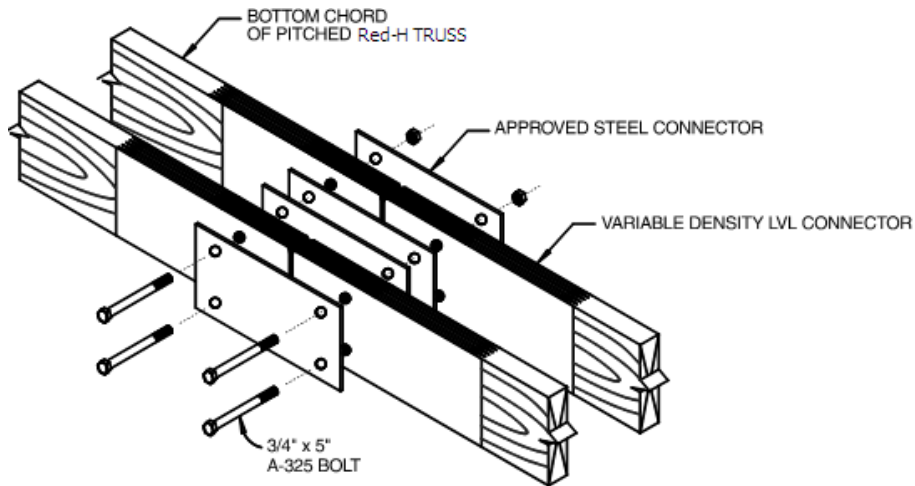
For **SI**: 1 inch = 25.4 mm.

If more than one row is used, the rows must be offset at least 3/8 inch and staggered.

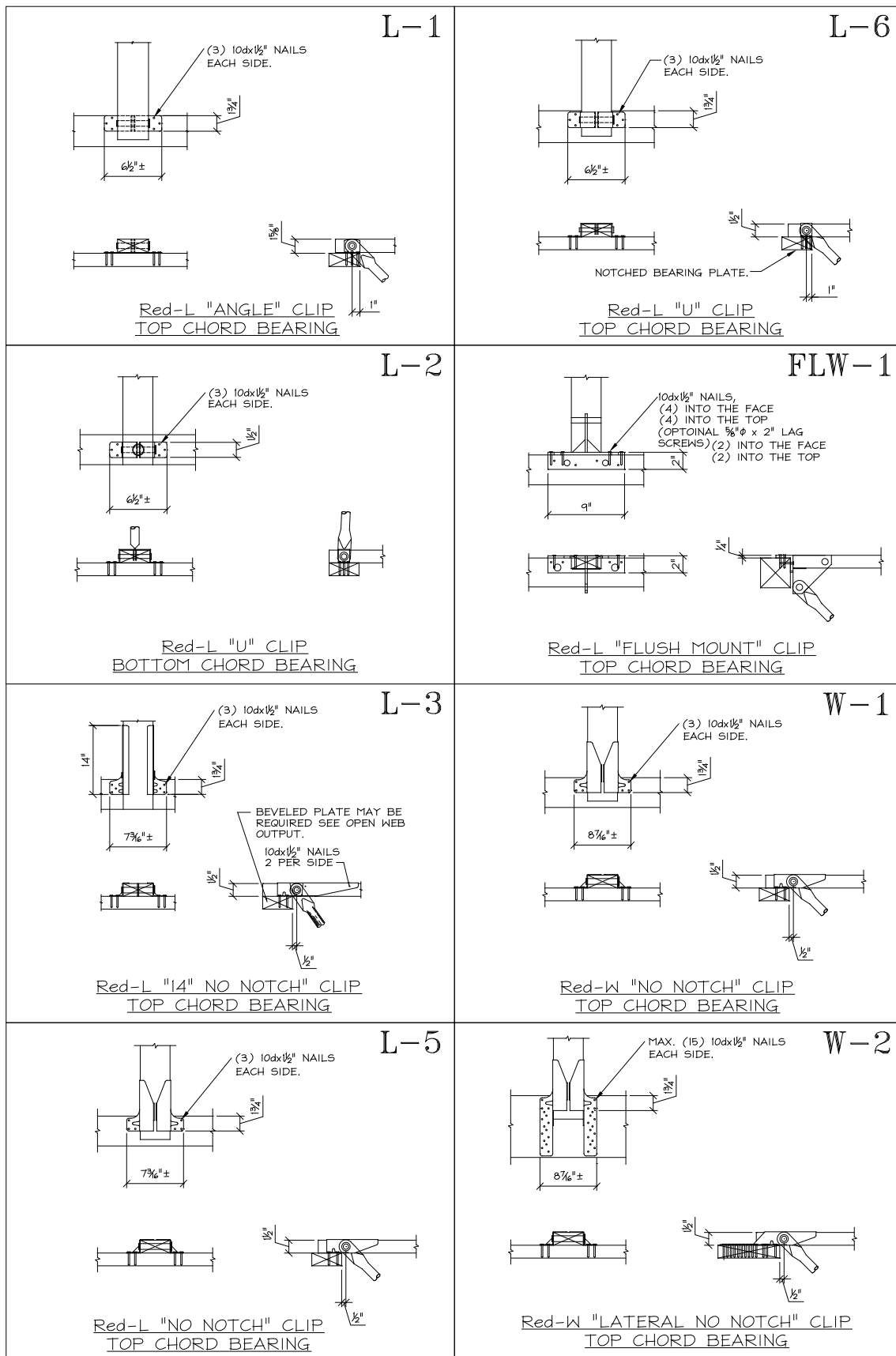




**FIGURE 1—LIGHT FIXTURE PROTECTION**  
 (See Section 4.12.1 for detailed description of mineral wool batts.)  
 For SI: 1 inch = 25.4 mm.

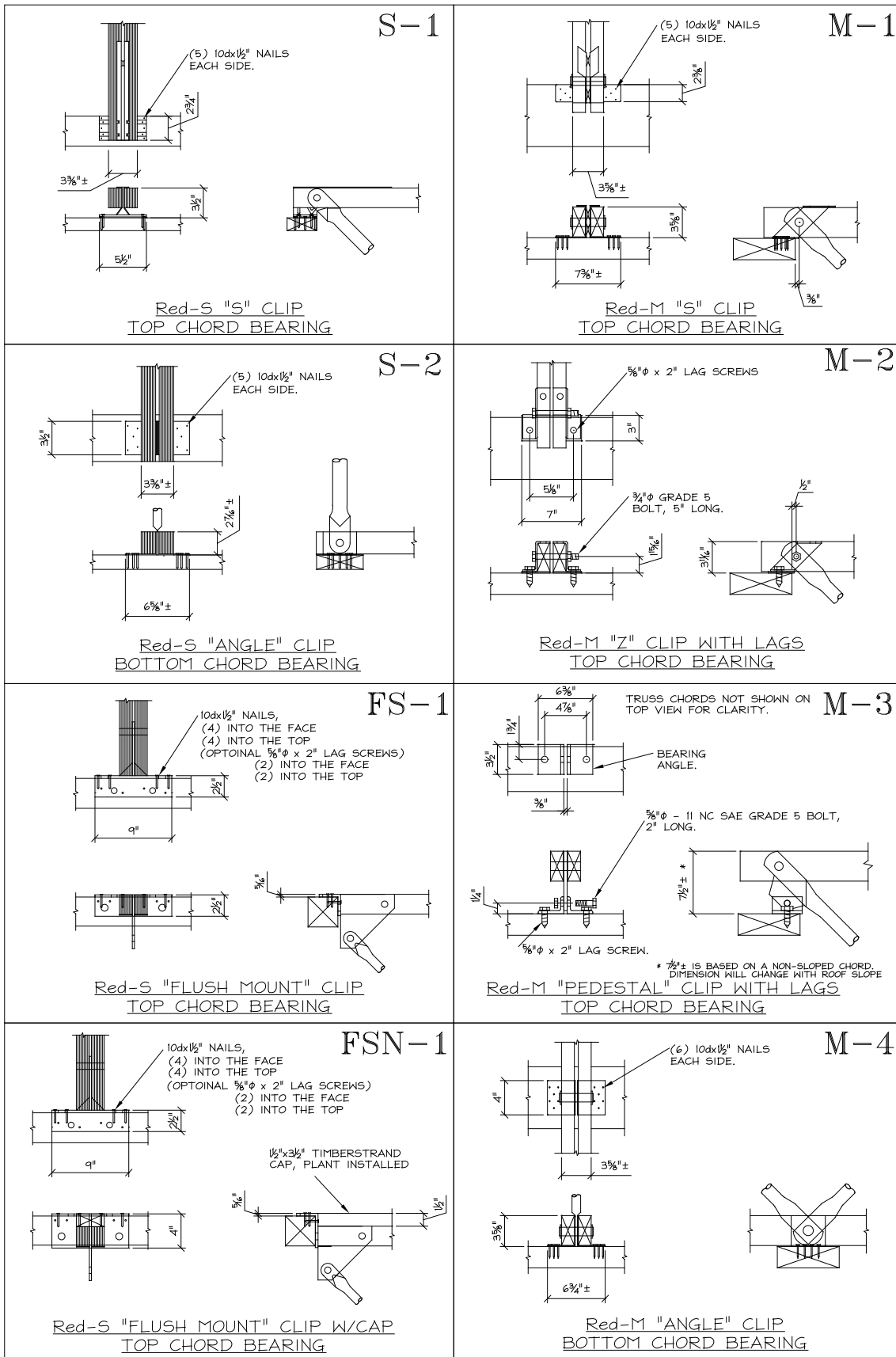


**FIGURE 2—TENSION CONNECTOR** (Red-H Connector shown for illustrative purposes only)  
 For SI: 1 inch = 25.4 mm.



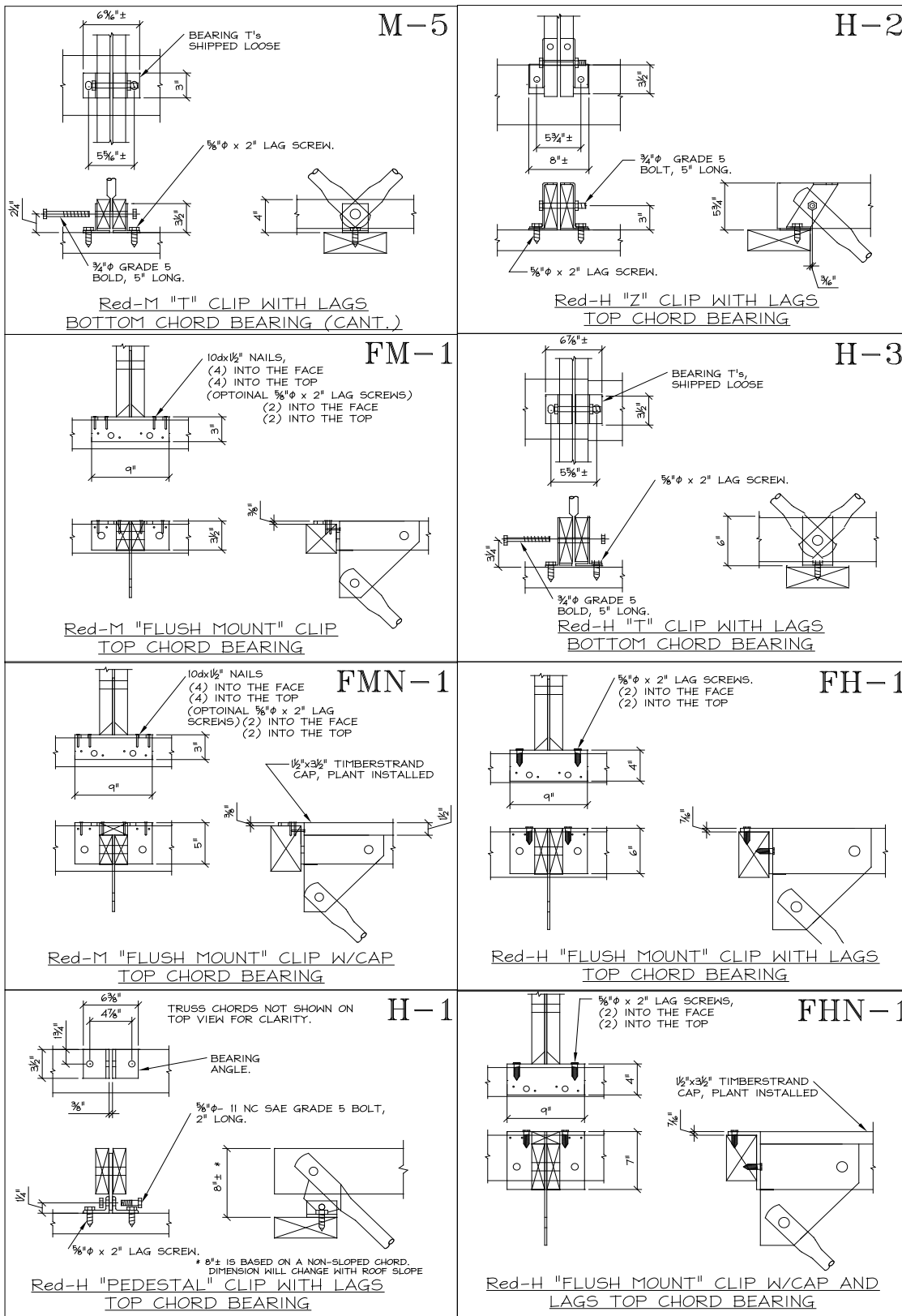
For SI: 1 inch = 25.4 mm.

FIGURE 3—OPEN-WEB TRUSS DETAILS (See note at end of Figure 3)



For SI: 1 inch = 25.4 mm.

FIGURE 3—OPEN-WEB TRUSS DETAILS (Continued) (See note at end of Figure 3)



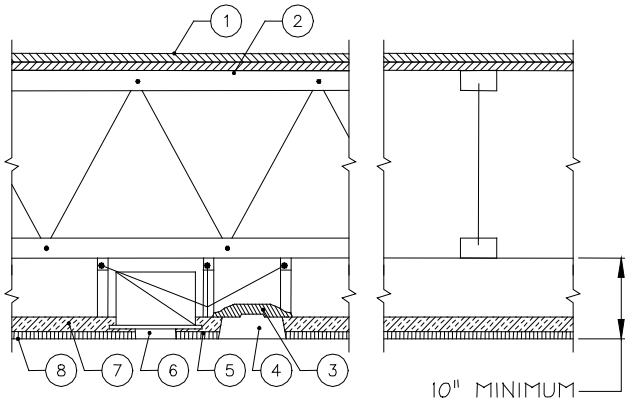
For SI: 1 inch = 25.4 mm.

FIGURE 3—OPEN-WEB TRUSS DETAILS (Continued) (See note below)

Note 1: Figure 3 drawings are for illustration purposes only. They are not intended for use as construction documents for the purpose of design, fabrication or erection.

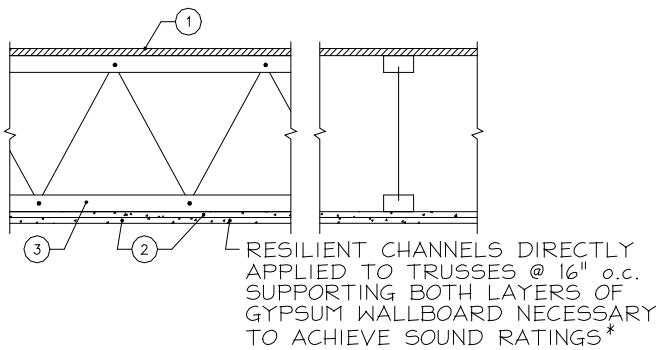
Note 2: Structural performance of the bearing hardware is not dependent upon the nails used to connect the bearing hardware to the supporting structure. The connection may be considered, however, by the building designer in the design requirements of the structure.

ASSEMBLY A (See Section 4.12.1 of this report.)



1. Double Wood Floor.
2. Open-Web Trusses
3. Fixture protection.
4. 24 inch x 48 inch recessed light fixture.
5. Cold-rolled channels.
6. 12 inch air diffuser.
7. Thermafiber, Fibrex-FBX, Fibrex-IF, or IIG MinWool mineral wool blankets.
8. 5/8-inch thick acoustical panels 24 inches x 24 inches or 24 inches x 48 inches supported by an approved exposed fire-rated suspension system.

ASSEMBLY B (See Section 4.12.2 of this report.)



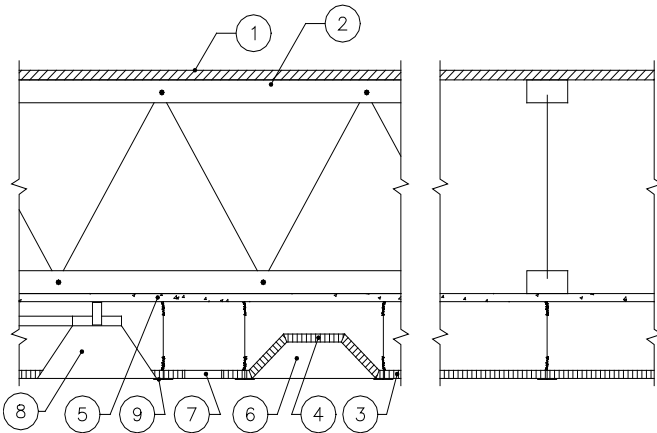
1. 48/24 tongue-and-groove span rated sheathing (Exposure 1).
2. Two layers of 1/2-inch-thick Type X gypsum board.
3. Open-Web Trusses
4. Optional minimum 3 1/2-inch-thick glass fiber insulation rated R-30 or less, with resilient channels (not shown).

Sound Test Data\*

	STC = 50	
W/O Gypsum Concrete	Pad & Carpet	IIC = 60
	Tarkett Acoustiflor	IIC = 51 (1)
	Cushioned vinyl	IIC = 45 (2)
	STC = 58	
W/Gypsum Concrete	Pad & Carpet	IIC = 54
	Tarkett Acoustiflor	IIC = 54 (1)
	Armstrong Vios/Armstrong	IIC = 50 (1)
	Cambray sheet vinyl	

- (1) Requires two layers of 5/8-inch-thick Type X gypsum board with minimum 3 1/2-inch-thick glass fiber insulation rated R-30 or less.
- (2) Applicable only in jurisdictions using the IRC.

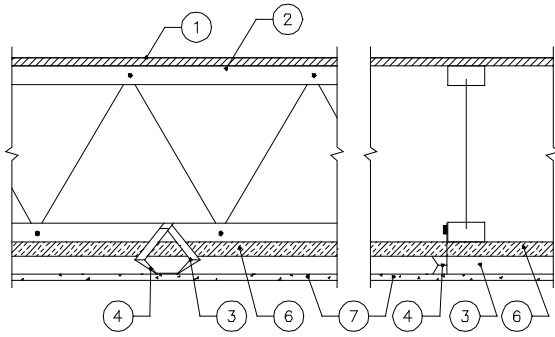
ASSEMBLY C (See Section 4.12.3 of this report.)



1. 48/24 tongue-and-groove span rated sheathing (Exposure 1).
2. Open-Web Trusses
3. 5/8-inch-thick x 24 inch x 24 inch ceiling panels.
4. Fixture protection.
5. 1/2-inch-thick Type X gypsum board.
6. 24 inch x 48 inch recessed light fixture.
7. 6 inch x 12 inch opening for return air.
8. 12-inch-diameter diffuser opening.
9. Fire-resistance rated steel suspension grid.

For SI: 1 inch = 25.4 mm.

FIGURE 4—ONE-HOUR FIRE-RESISTANCE-RATED ASSEMBLY DETAILS



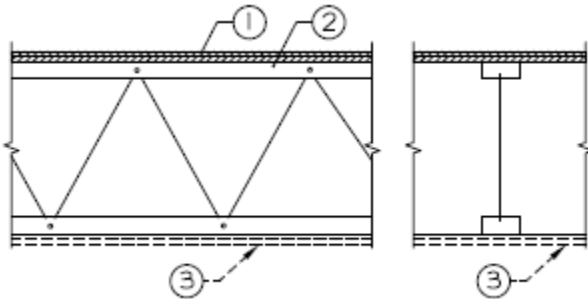
ASSEMBLY D (See Section 4.12.4 of this report.)

1. 48/24 tongue-and-groove span rated sheathing (Exposure 1).
2. Open-Web Trusses
3. No. 26 gauge galvanized steel furring channel installed perpendicular to trusses. Furring channels spaced 1 1/2 inches from and on each side of wallboard end joints and 24 inches on center away from end joints. Channel secured to trusses with support clips (Item 4) at each truss location. At channel splices, adjacent pieces overlapped 6 inches and tied with double strand of No. 18 SWG galvanized steel wire at each end of overlap.
4. Simpson Strong-Tie Co. Type CSC support clips to be used to support furring channels at the intersection with each truss. Support clips nailed to side of truss bottom chord with 1 1/2-inch-long No. 11 gauge nail.
5. Stabilizer strap (not shown) - 3/4-inch x 6-inch No. 24 gauge galvanized steel strap used to prevent rotation of the support clips at wallboard end joints and along walls.
6. 1 inch thick, 6 pcf minimum, Thermafiber, Fibrex-FBX, Fibrex-IF, or IIG MinWool mineral wool blankets.
7. 1/2 inch thick USG Type C FIRECODE or ProRoc Type C gypsum board.

**Sound Test Data:**

W/Gypsum Concrete	STC = 59
Pad & Carpet	IIC = 54
Without Gypsum Concrete	STC = 47 (1)
Pad & Carpet	IIC = 54

(1) Applicable only in jurisdictions using the IRC.



ASSEMBLY E (See Section 4.12.5 of this report.)

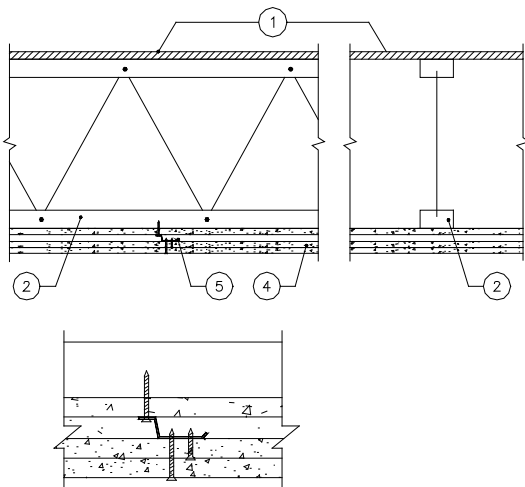
1. Double wood floor or a single layer of 48/24 span-rated tongue-and-groove sheathing (Exposure 1). Where single layer is used, sheathing must be nailed and glued to the truss with construction adhesive conforming to ASTM D3498.
2. Open-Web Trusses
3. An approved ceiling system that will provide a 40-minute finish rating. An example of a ceiling with a 40-minute finish rating is described in Section 4.12.2 of this report.

ASSEMBLY F Not used.

For SI: 1 inch = 25.4 mm.

**Alternate Floor or Roof Systems:** Lightweight concrete or gypsum concrete may be added to Assemblies A, B, C, D and E of this report in accordance with Section 4.14.

**FIGURE 4—ONE-HOUR FIRE-RESISTANCE-RATED ASSEMBLY DETAILS (Continued)**



ASSEMBLY G (See Section 4.13 of this report.)

1. 48/24 tongue-and-groove span rated sheathing (Exposure 1).
2. Open-Web Trusses, 24 inches on center maximum.
3. Optional glass fiber insulation, unfaced batts, 3 1/2 inches thick in plenum, supported by stay wires 12 inches on center and centered on truss bottom chords.
4. Three layers of 5/8-inch-thick Gold Bond Fire-Shield C Type X gypsum board.
5. Resilient channels at 16 inches on center located between first and second layers of gypsum board. (See Section 4.13 of this report.)

(Insert shows typical resilient channel and gypsum board attachment.)

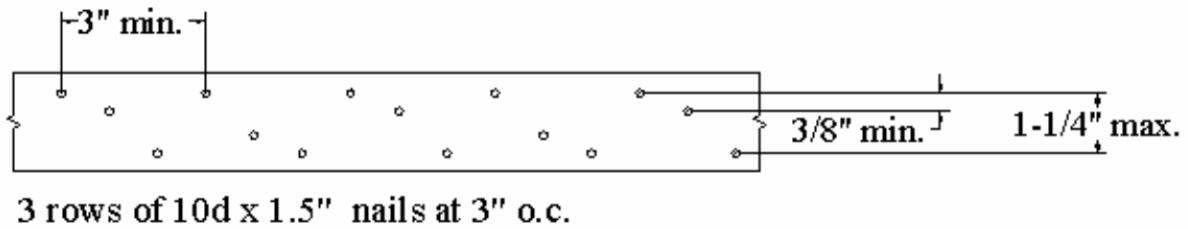
For SI: 1 inch = 25.4 mm.

**Alternate Floor or Roof Systems:** Lightweight concrete or gypsum concrete may be added to Assembly G of this report in accordance with Section 4.14.

**FIGURE 5—TWO-HOUR FIRE-RESISTANCE-RATED FLOOR-CEILING OR ROOF-CEILING ASSEMBLY**

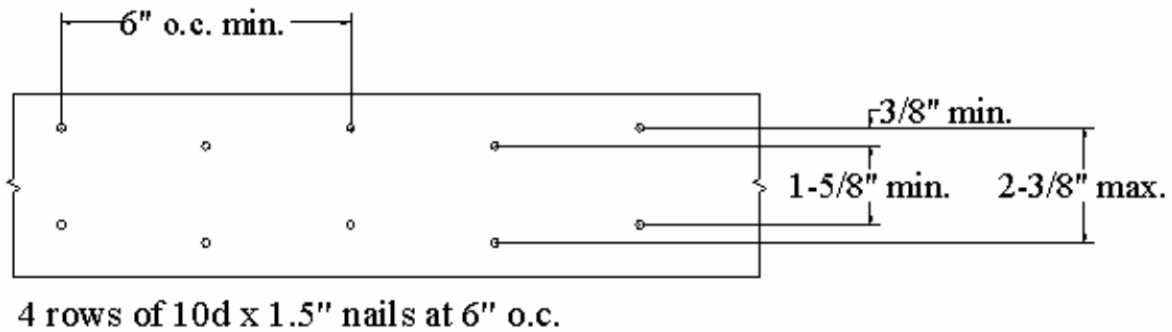


**Detail A:**



Detail A is applicable to all Open-Web trusses with structural composite lumber chords, except when Red-S, Red-M and Red-H Open-Web trusses are used, a minimum 1.5 inch by 3.5 inch structural composite lumber nailer plate is required. Nailer plate attachment must be designed to transfer the required forces. Simpson Strong-Tie Co. MSTI or PAI straps, or other straps of the same minimum gauge, dimensions, grade of steel and nail patterns and recognized in a current ICC-ES evaluation report may be used.

**Detail B:**



Detail B is applicable to all Open-Web trusses with structural composite lumber chords. Simpson Strong-Tie Co. LST1 , or other straps of the same minimum gauge, dimensions, grade of steel and nail patterns and recognized in a current ICC-ES evaluation report may be used.

**General Notes:**

Connection capacity limited to a lateral nail design value of 112 lbs/nail with the following conditions.

1. All nails must be 10d short nails, 0.148 inches x 1.5 inches.
2. Minimum steel thickness is 18 gauge (0.049 inches).
3. Total connection capacity not to exceed code approved strap or tension-tie design value.
4. The connection capacity is permitted to be increased for duration of load in accordance with the code.
5. No additional reductions are necessary due to penetration.
6. The minimum required end distance is 3 inches.

For SI: 1 inch = 25.4 mm, 1 lbf. = 4.448 N.

**FIGURE 6—METAL STRAP AND TENSION-TIE CONNECTION CAPACITIES AND DETAILS FOR OPEN-WEB TRUSSES**



**FIGURE 7—REDBUILT LOGO**

DIVISION: 06 00 00—WOOD, PLASTICS AND COMPOSITES  
Section: 06 17 00—Shop-Fabricated Structural Wood

**REPORT HOLDER:**

REDBUILT™ LLC

**EVALUATION SUBJECT:**

OPEN-WEB TRUSSES

**1.0 REPORT PURPOSE AND SCOPE****Purpose:**

The purpose of this evaluation report supplement is to indicate that RedBuilt™ LLC Open-Web trusses, described in ICC-ES evaluation report [ESR-1774](#), have also been evaluated for compliance with the codes noted below as adopted by the Los Angeles Department of Building and Safety (LADBS).

**Applicable code editions:**

- 2020 *City of Los Angeles Building Code* (LABC)
- 2020 *City of Los Angeles Residential Code* (LARC)

**2.0 CONCLUSIONS**

The RedBuilt™ LLC Open-Web trusses, described in Sections 2.0 through 7.0 of the evaluation report [ESR-1774](#), comply with the LABC Chapter 23, and the LARC, and are subject to the conditions of use described in this supplement.

**3.0 CONDITIONS OF USE**

The RedBuilt™ LLC Open-Web trusses, described in this evaluation report, must comply with all of the following conditions:

- All applicable sections in the evaluation report [ESR-1774](#).
- The design, installation, conditions of use and identification are in accordance with the 2018 *International Building Code*® (IBC) provisions noted in the evaluation report [ESR-1774](#).
- The design, installation and inspection are in accordance with additional requirements of LABC Chapters 12, 16 and 17, as applicable.
- IIC rating in Item 3 to the assembly B in Section 4.15.1 is not recognized under this evaluation report supplement.
- The assembly in Section 4.15.3 is not recognized under this evaluation report supplement.
- Under the LARC, an engineered design in accordance with LARC Section R301.1.3 must be submitted.

This supplement expires concurrently with the evaluation report, reissued August 2020.