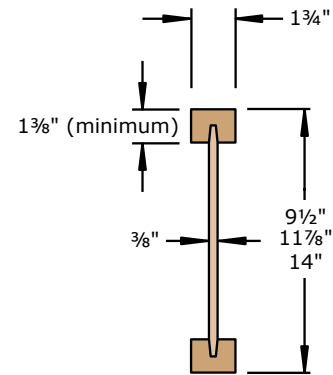


## Red-I45L™ and Red-I58™ Joists in Residential/Multi-Family Applications

### Red-I45L™ Joist Allowable Uniform Load (PLF)

Span	Joist Depth					
	9½"		11⅞"		14"	
	100% TL 100% LL	115% TL 125% TL	100% TL 100% LL	115% TL 125% TL	100% TL 100% LL	115% TL 125% TL
10'	195	224	245	282	289	332
	191	244	*	307	*	361
12'	136	156	171	197	202	232
	117	170	*	214	*	252
14'	100	115	126	145	149	171
	76	125	*	158	*	186
16'	77	88	97	111	114	131
	52	96	88	121	*	143
18'	56	70	76	88	90	104
	37	75	63	96	*	113
20'		55	62	71	73	84
		55	47	78	69	91
22'		42	51	59	60	70
		42	35	64	52	76

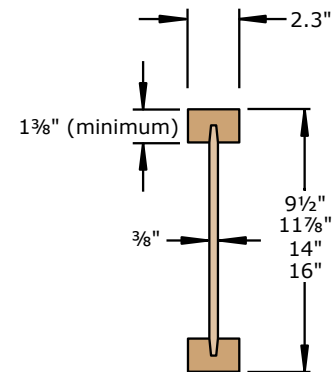


#### Red-I45L™ Joist

Top and bottom flanges of 1 3/8" (minimum) x 1 3/4" RedLam™ LVL with 3/8" OSB web

### Red-I58™ Joist Allowable Uniform Load (PLF)

Span	Joist Depth							
	9½"		11⅞"		14"		16"	
	100% TL 100% LL	115% TL 125% TL	100% TL 100% LL	115% TL 125% TL	100% TL 100% LL	115% TL 125% TL	100% TL 100% LL	115% TL 125% TL
10'	246	282	319	367	322	371	322	371
	*	307	*	399	*	403	*	403
12'	205	236	267	307	269	310	269	310
	167	256	*	333	*	336	*	336
14'	166	203	229	263	231	266	231	266
	111	220	180	286	*	289	*	289
16'	115	154	189	220	202	233	202	233
	77	154	126	239	180	253	*	253
18'	83	111	137	174	179	206	180	207
	55	111	91	183	131	224	175	225
20'	61	82	102	137	145	167	162	187
	41	82	68	137	98	182	132	203
22'	47	62	78	105	113	138	137	158
	31	62	52	105	75	150	101	172
24'		49	61	82	89	116	116	133
		49	41	82	59	118	79	145
26'		38	48	65	71	94	95	113
		38	32	65	47	94	63	123



#### Red-I58™ Joist

Top and bottom flanges of 1 3/8" (minimum) x 2.3" RedLam™ LVL with 3/8" OSB web

### General Notes

- \* Indicates total load (TL) value controls.
- Red numbers refer to **115% TL** (total load).
- Red-I45L™ and Red-I58™ joists are intended for residential/multi-family applications with live load deflection limited to L/360.
- For diaphragm nailing criteria see section 4.2.7 AWC SDPWS-2008. Maximum diaphragm nail penetration for Red-I45L™ and Red-I58™ joists is 1 3/8".
- For load table instructions and additional technical support refer to pages 6 and 21 of the *Red-I™ Joists Specifier's Guide* (available at [www.redbuilt.com](http://www.redbuilt.com)).

**Red-I45L™ and Red-I58™ joists are special order items and are not available in all locations. For more information and product availability, contact your RedBuilt™ representative.**